



Nodolini

PRECISION IRRIGATION SPRINKLERS

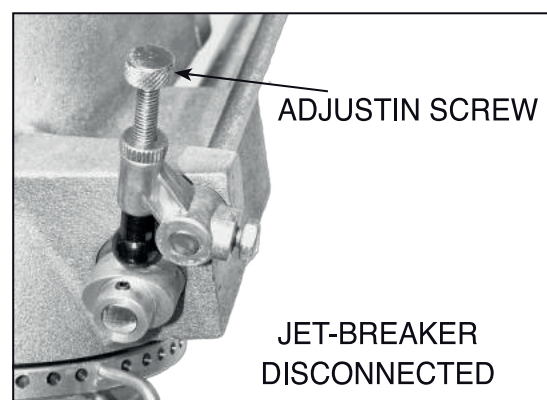
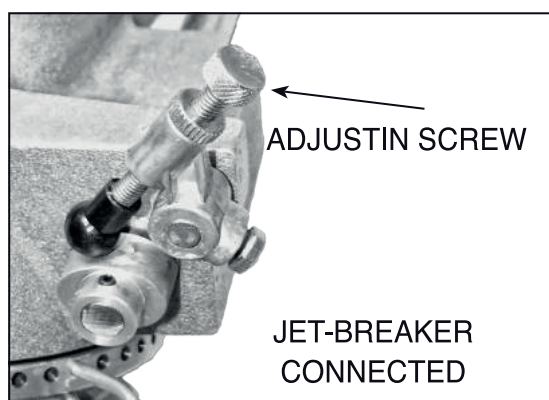
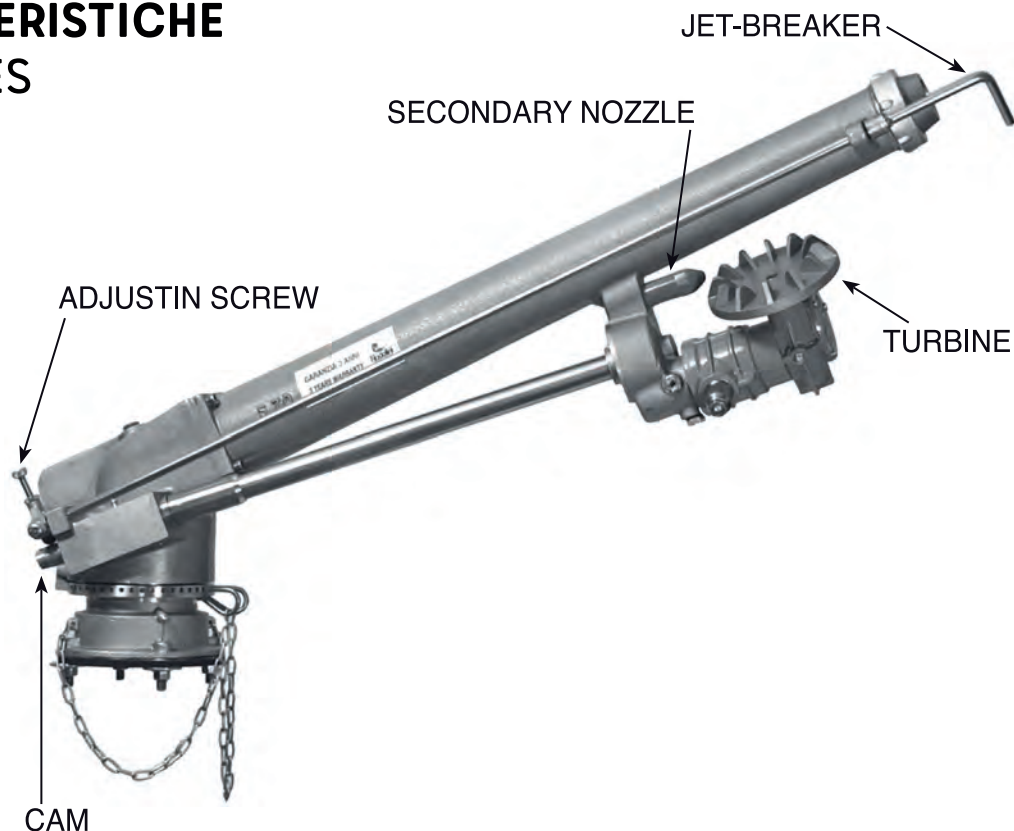
**SPRINKLERS
FOR AGRICULTURE
AND DUST SUPPRESSION**

PRECISION IRRIGATION SPRINKLERS



Nodolini Sprinklers is proud to present its complete range of products, fruit of continuous research developed through over 60 years of activity. This has allowed us to combine the solidity of our irrigator with high performance and extraordinary lightness. We are certain of a product which will effectively satisfy the modern needs.

CARATTERISTICHE FEATURES



VANTAGGI DELL'IRRIGATORE A TURBINA

- Tutte le parti meccaniche sono interne e protette.
- Il tubo di lancio conico garantisce maggiori prestazioni.
- Privo di freno, causa di problemi nel tempo, lavora perfettamente anche su terreni in forte pendenza ed anche con alte pressioni (15 Atm - 220 psi)
- Funziona con un angolo minimo di 4 gradi.
- Il rompigitto dinamico ad interferenza regolabile, assicura una corretta uniformità di pioggia in tutte le situazioni, anche con basse pressioni dove gli altri irrigatori normalmente hanno abbondanza di acqua negli ultimi metri della gittata e poca nei primi.

ADVANTAGES OF THE TURBINE SPRINKLER

- All mechanical parts are internal and protected.
- The conical barrel provides greater performance.
- Without brake, which causes problems over the time, it works perfectly even on steep slopes and at high pressures (15 Atm - 220 psi)
- It works with a minimum angle of 4 degrees.
- The dynamic jet-breaker with adjustable interference, ensures a correct rain uniformity in all situations, even at low pressures where the other sprinklers normally have plenty of water over the few last meters of the throw and little in the first ones.

PRECISION IRRIGATION SPRINKLERS

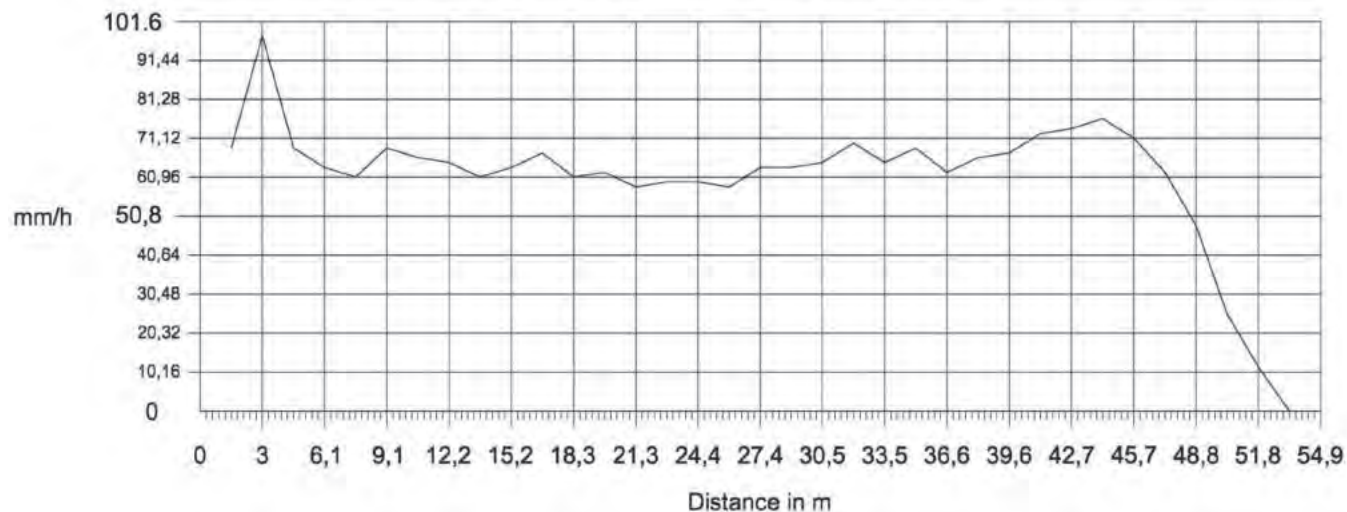
Qui sotto il nostro modello S60 E / S60 con un bocchaglio diametro 24 mm e con una pressione di 6 Atm (88,2 psi) sull' irrigatore. In questa situazione abbiamo ottimizzato l' uniformita' di bagnatura con un' interferenza del rompigitto di 3,5 mm.

Below is our model S60 E / S60 with a 24-mm-diameter nozzle and a sprinkler pressure of 6 Atm (88.2 psi). In this situation we have optimized the watering uniformity with a jet-breaker interference of 3.5 mm.

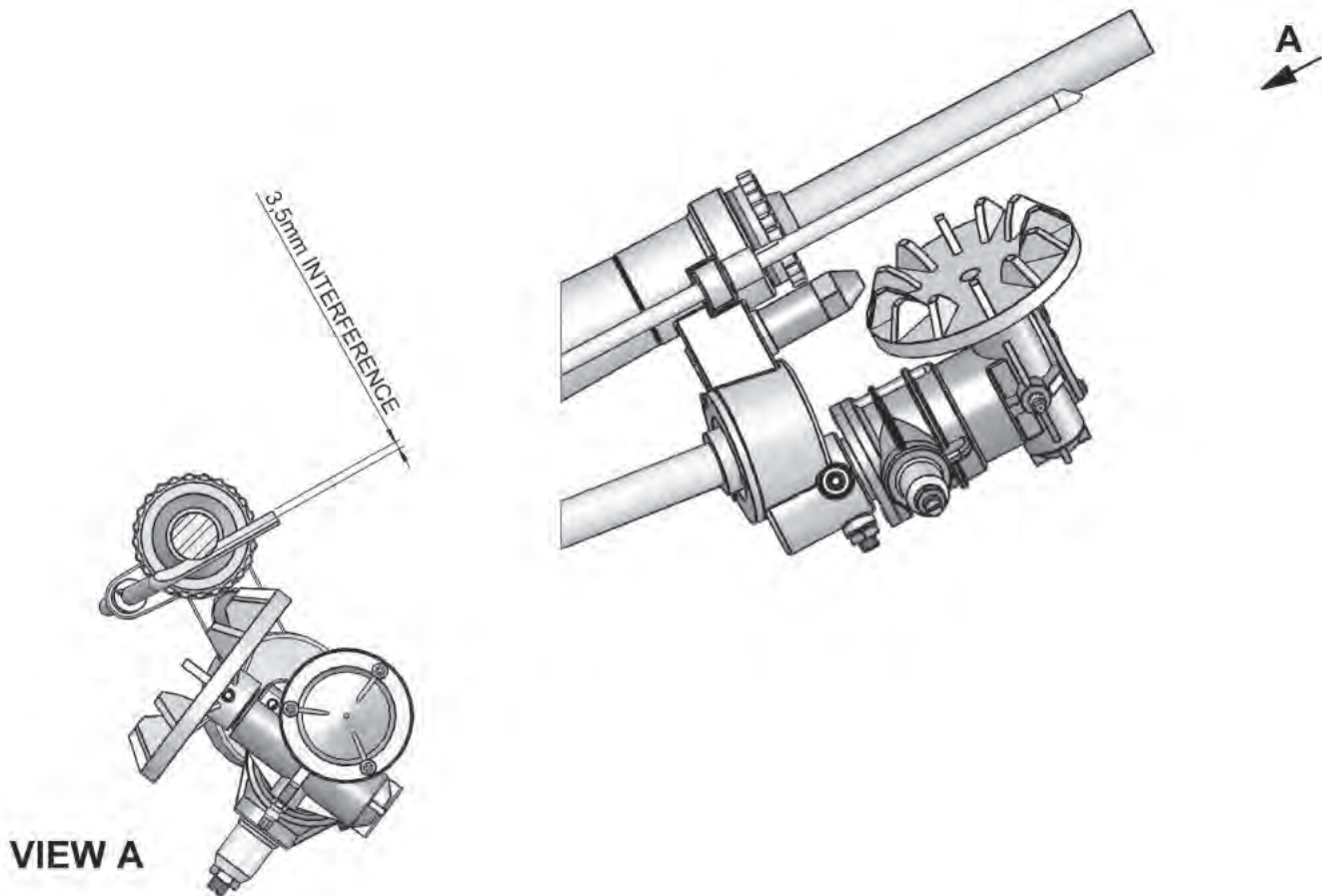
Water distribution diagram with S.I. (International System) measurement units drawn up at the Center for Irrigation Technology (C.I.T. Fresno)

Sprinkler Name	Nodolini			
Sprinkler Model	S60			
Date/Time of Test	12/17/2013 10:55			
Nozzle Size	24 mm	0,945 in		
Flow Rate	0.01495 m ³ /s	53,83 m ³ /h	897.14 l/min	237 gpm
Base Pressure	0,608 MPa	6,08 bar	6 atm	88,2 psi
Riser Height	0,61 m	24 in		
Set Screw Setting	3,5 mm	0,138 in		
Degree of Arc	0,698 rad	40°		

Sprinkler Radius of Throw per ASAE Standard S398.1: 52,1 m



1,5 = 68,58	15,2 = 63,50	29 = 63,50	42,7 = 73,66
3 = 97,79	16,8 = 67,31	30,5 = 64,77	44,2 = 76,20
4,6 = 68,58	18,3 = 60,96	32 = 69,85	45,7 = 71,12
6,1 = 63,50	19,8 = 62,23	33,5 = 64,77	47,2 = 62,23
7,6 = 60,96	21,3 = 58,42	35 = 68,58	48,8 = 48,26
9,1 = 68,58	22,9 = 59,69	36,6 = 62,23	50,3 = 25,40
10,7 = 66,04	24,4 = 59,69	38,1 = 66,04	51,8 = 11,43
12,2 = 64,77	25,9 = 58,42	39,6 = 67,31	
13,7 = 60,96	27,4 = 63,50	41,1 = 72,39	



Christiansen Uniformity Coefficient (C_u)

$$C_u = 100 \cdot \left(1 - \frac{\sum_{i=1}^n |h_i - h_m|}{n \cdot h_m} \right)$$

$$C_u = 100 \cdot \left(1 - \frac{225,64}{34 \cdot 62,98} \right) = 88\%$$

Christiansen Uniformity Value (C_u)	
> 87%	= excellent
> 83%	= very good
> 79%	= good
> 75%	= satisfactory
> 70%	= poor

> 87%	= excellent
> 83%	= very good
> 79%	= good
> 75%	= satisfactory
> 70%	= poor

Distribution Uniformity Coefficient (D_u)

$$D_u = 100 \cdot \left(\frac{h_{lq}}{h_m} \right)$$

$$D_u = 100 \cdot \left(\frac{53,53}{62,98} \right) = 85\%$$

Distribution Uniformity Value (D_u)	
> 85%	= excellent
> 80%	= very good
> 75%	= good
> 70%	= satisfactory
> 65%	= poor

> 85%	= excellent
> 80%	= very good
> 75%	= good
> 70%	= satisfactory
> 65%	= poor

PRECISION IRRIGATION SPRINKLERS

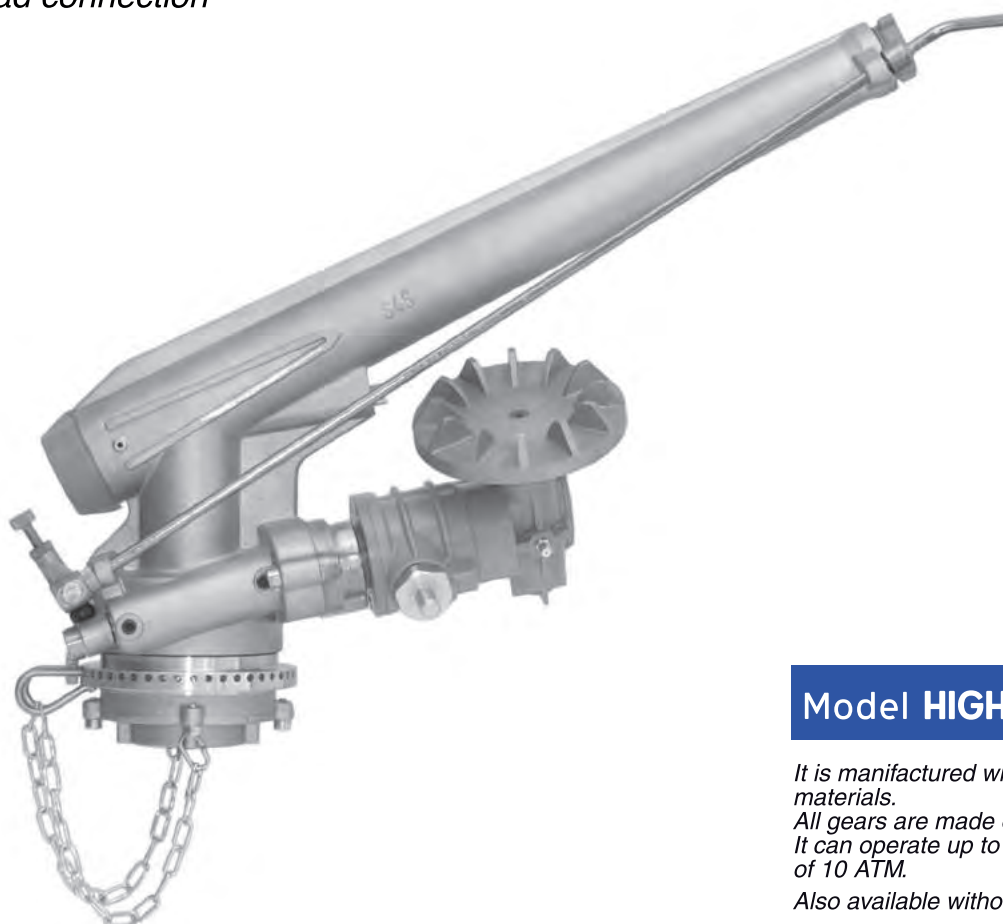
S45 FULL CIRCLE
S45 PART CIRCLE
S45 HIGH PRESSURE

MEDIUM THROW

Female thread connection

1" 1/2 BSP

1" 1/2 NPT



Model HIGH PRESSURE

It is manufactured with high quality materials.

All gears are made of metal.

It can operate up to a pressure of 10 ATM.

Also available without jet-breaker

- Turbine sprinkler
- Conical pipe: high performances
- Perfect functioning on steep terrain
- No vibrations
- No break
- Intermittent jet-breaker adjustable for better uniformity of the rain
- Suitable for irrigation of delicate crops
- The sprinkler can operate with an angle of just 4°

Nozzle Ø mm	Pressure atm.	Flow l/min	Length of jet m
10	1,5 - 2,0 - 2,5	80 - 93 - 104	18 - 22 - 24
12	2,0 - 3,0 - 4,0	134 - 164 - 190	24 - 29 - 31
14	2,0 - 3,0 - 4,0	183 - 224 - 258	26 - 32 - 34
16	3,0 - 4,0 - 5,0	292 - 337 - 377	33 - 37 - 39
18	3,0 - 4,0 - 5,0	370 - 427 - 477	34 - 37 - 42
20	3,0 - 4,0 - 5,0	456 - 527 - 590	36 - 41 - 46
22	4,0 - 5,0 - 6,0	638 - 713 - 780	42 - 47 - 49
24	4,0 - 5,0 - 6,0	730 - 817 - 895	43 - 48 - 52

The technical characteristics are indicative and not binding

PRECISION IRRIGATION SPRINKLERS

S45 - 2" FULL CIRCLE
S45 - 2" PART CIRCLE
S45 - 2" HIGH PRESSURE

MEDIUM THROW

Female thread connection

2" BSP

2" NPT



Model HIGH PRESSURE

It is manufactured with high quality materials.

All gears are made of metal.

It can operate up to a pressure of 10 ATM.

Also available without jet-breaker

- Turbine sprinkler
- Conical pipe: high performances
- Perfect functioning on steep terrain
- No vibrations
- No break
- Intermittent jet-breaker adjustable for better uniformity of the rain
- Suitable for irrigation of delicate crops
- The sprinkler can operate with an angle of just 4°

Nozzle Ø mm	Pressure atm.	Flow l/min	Lenght of jet m
18	3,0 - 4,0 - 5,0	370 - 427 - 477	35 - 38 - 43
20	3,0 - 4,0 - 5,0	456 - 527 - 590	36 - 42 - 46
22	4,0 - 5,0 - 6,0	638 - 713 - 780	43 - 48 - 50
24	4,0 - 5,0 - 6,0	730 - 817 - 895	43 - 49 - 53

The technical characteristics are indicative and not binding

PRECISION IRRIGATION SPRINKLERS

S45 PLUS

S45 PLUS HIGH PRESSURE

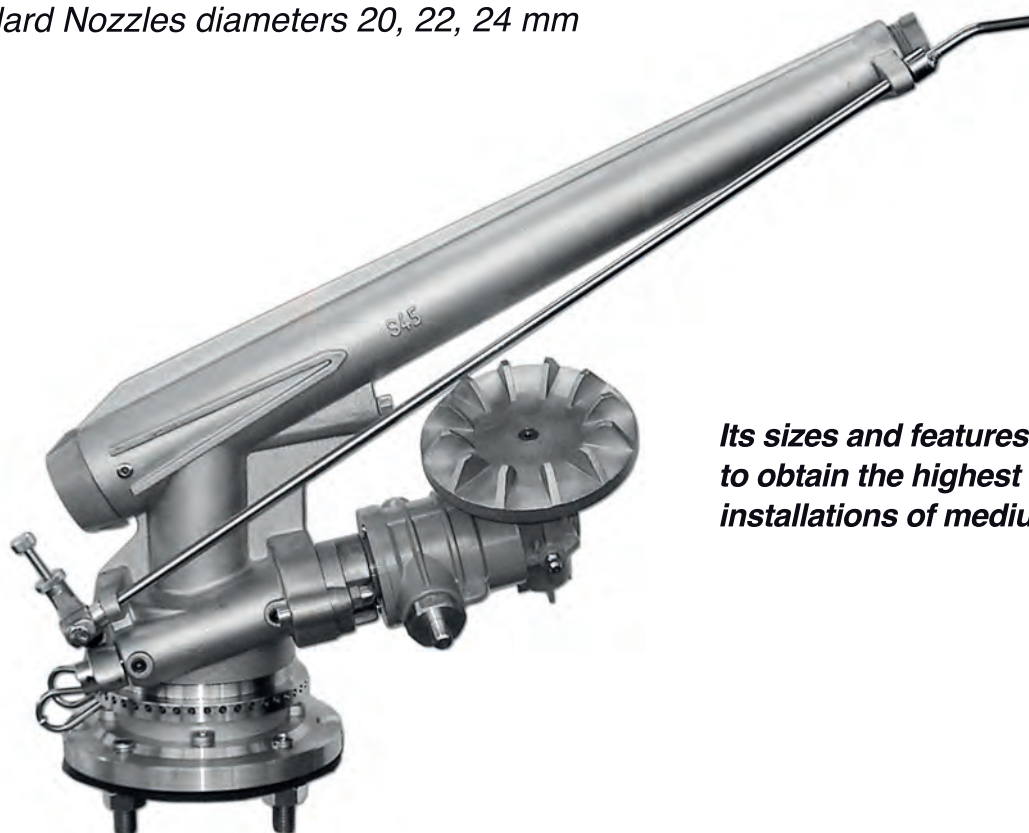
MEDIUM THROW

Flange Connection PN6 DN50

Flange Connection ANSI 2" - DIN 50

Diameter inlet of the water 61,5 mm

Standard Nozzles diameters 20, 22, 24 mm



Its sizes and features have been designed to obtain the highest efficiency even with installations of medium – low power.

Model HIGH PRESSURE

It is manufactured with high quality materials.

All gears are made of metal.

It can operate up to a pressure of 10 ATM.

Also available without jet-breaker

- Turbine sprinkler
- Conical pipe: high performances
- Perfect functioning on steep terrain
- No vibrations
- No break
- Intermittent jet-breaker adjustable for better uniformity of the rain
- Suitable for irrigation of delicate crops
- The sprinkler can operate with an angle of just 4°

Nozzle Ø mm	Pressure atm.	Flow l/min	Lenght of jet m
18	3,0 - 4,0 - 5,0	370 - 427 - 477	35 - 39 - 43
20	3,0 - 4,0 - 5,0	456 - 527 - 590	36 - 43 - 47
22	4,0 - 5,0 - 6,0	638 - 713 - 780	44 - 48 - 50
24	4,0 - 5,0 - 6,0	730 - 817 - 895	44 - 50 - 54

The technical characteristics are indicative and not binding

PRECISION IRRIGATION SPRINKLERS

S60 E - 25° FULL CIRCLE
S60 E - 25° PART CIRCLE

LONG THROW

Nodolini Flange Connection

EUROFLANGE Connection

Female thread connection:

2" BSP

2" ½ BSP

2" NPT

2" ½ NPT



- Turbine sprinkler
- Conical pipe: high performances
- Perfect functioning on steep terrain
- No vibrations
- No break
- Intermittent jet-breaker adjustable for better uniformity of the rain
- Suitable for irrigation of delicate crops
- The sprinkler can operate with an angle of just 4°

Nozzle Ø mm	Pressure atm.	Flow l/min	Length of jet m
16	3,0 - 3,5 - 4,0	281 - 304 - 324	33 - 35 - 38
18	3,5 - 4,0 - 4,5	384 - 411 - 436	37 - 40 - 42
20	4,0 - 4,5 - 5,0	506 - 537 - 566	41 - 43 - 45
22	4,0 - 4,5 - 5,0	612 - 649 - 684	43 - 45 - 47
24	4,0 - 4,5 - 5,0	729 - 774 - 816	45 - 47 - 49
26	4,5 - 5,0 - 5,5	908 - 957 - 1004	47 - 49 - 51
28	4,5 - 5,0 - 5,5	1053 - 1110 - 1164	50 - 52 - 54

The technical characteristics are indicative and not binding



NEW REVOLVING MODELS

S60 - 25° REVOLVING

S70 - 25° REVOLVING

S70 SUPER - 25° REVOLVING

S80 REVOLVING

S80 SUPER REVOLVING

S80 SUPER PLUS REVOLVING

These models can rotate freely on themselves at 360°, thanks to a gear release system in the base. During the transport of the sprinkler the gears must be released in order to avoid damaging them.

PRECISION IRRIGATION SPRINKLERS

S60 - 25°
S60 - 25° REVOLVING
S60 - 22°

LONG THROW

Nodolini Flange Connection

EUROFLANGE Connection

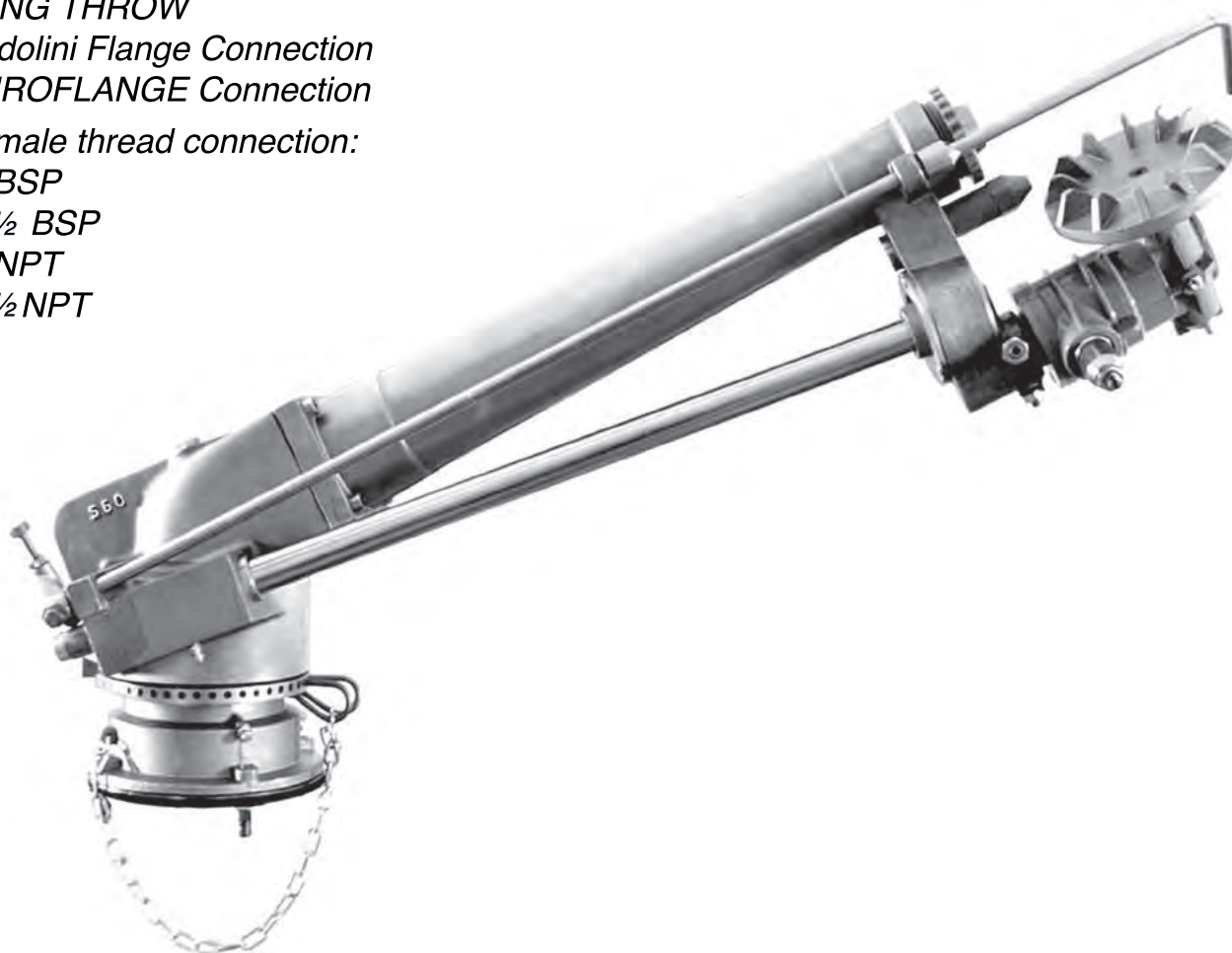
Female thread connection:

2" BSP

2" ½ BSP

2" NPT

2" ½ NPT



- Turbine sprinkler
- Conical pipe: high performances
- Perfect functioning on steep terrain
- No vibrations
- No break
- Intermittent jet-breaker adjustable for better uniformity of the rain
- Suitable for irrigation of delicate crops
- The sprinkler can operate with an angle of just 4°

Nozzle Ø mm	Pressure atm.	Flow l/min	Lenght of jet m
20	4,0 - 4,5 - 5,0	506 - 537 - 566	41 - 43 - 45
22	4,0 - 4,5 - 5,0	612 - 649 - 684	43 - 45 - 47
24	4,0 - 4,5 - 5,0	729 - 774 - 816	45 - 47 - 49
26	4,5 - 5,0 - 5,5	957 - 980 - 1004	47 - 49 - 51
28	4,5 - 5,0 - 5,5	1053 - 1110 - 1164	50 - 52 - 54
30	5,0 - 5,5 - 6,0	1273 - 1335 - 1394	53 - 55 - 57

The technical characteristics are indicative and not binding

PRECISION IRRIGATION SPRINKLERS

S70 - 25°
S70 - 25° REVOLVING
S70 - 22°

LONG THROW

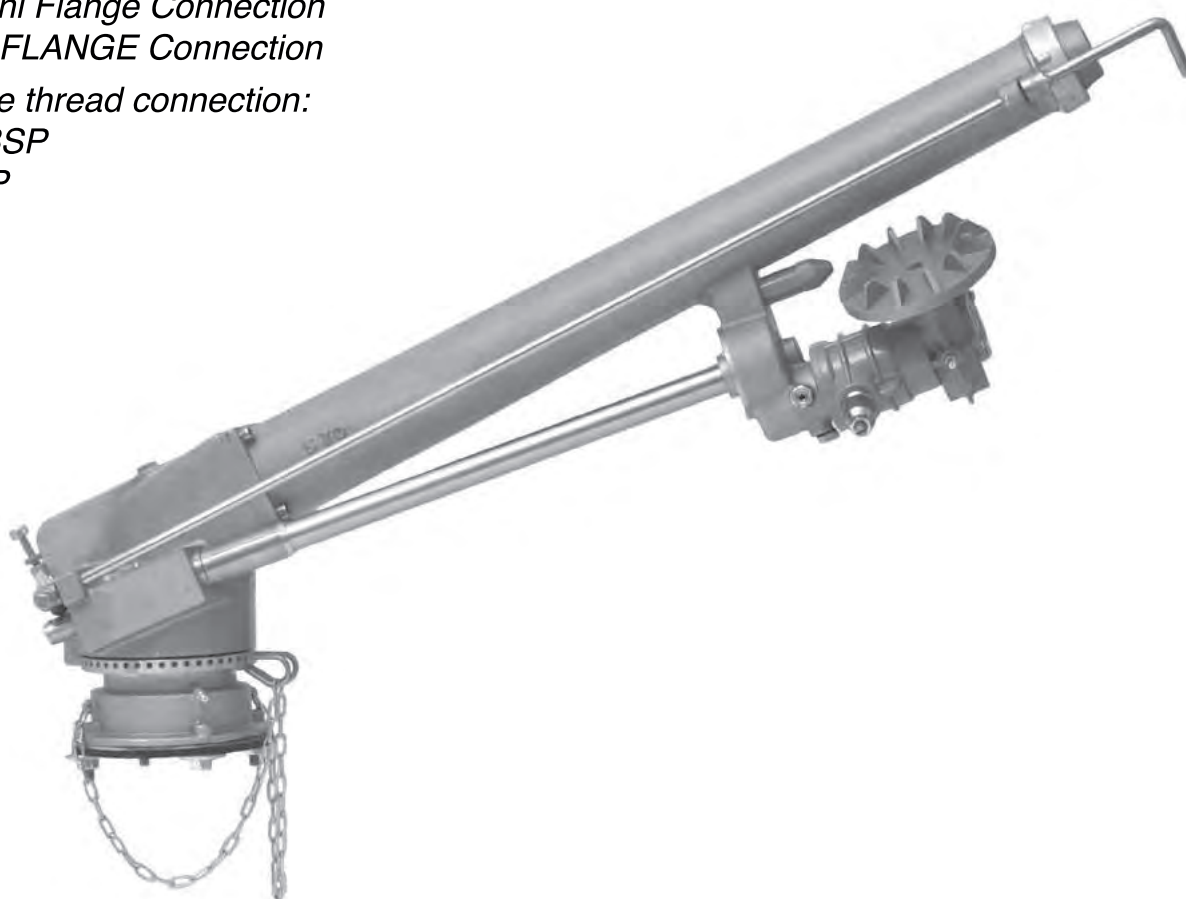
Nodolini Flange Connection

EUROFLANGE Connection

Female thread connection:

2" ½ BSP

3" BSP



Long range turbine sprinkler designed to obtain maximum output with medium power systems.

- Turbine sprinkler
- Conical pipe: high performances
- Perfect functioning on steep terrain
- No vibrations
- No break
- Intermittent jet-breaker adjustable for better uniformity of the rain
- Suitable for irrigation of delicate crops
- The sprinkler can operate with an angle of just 4°

Nozzle Ø mm	Pressure atm.	Flow l/min	Length of jet m
24	4,0 - 5,0 - 6,0	729 - 815 - 893	45 - 52 - 55
26	4,0 - 5,0 - 6,0	856 - 957 - 1048	47 - 53 - 57
28	4,0 - 5,0 - 6,0	992 - 1109 - 1215	49 - 54 - 59
30	5,0 - 6,0 - 7,0	1272 - 1393 - 1505	55 - 61 - 63
32	5,0 - 6,0 - 7,0	1449 - 1587 - 1714	57 - 63 - 66
34	6,0 - 7,0 - 8,0	1792 - 1935 - 2069	64 - 67 - 69
36	6,0 - 7,0 - 8,0	2009 - 2170 - 2320	65 - 69 - 71
38	7,0 - 8,0 - 9,0	2418 - 2585 - 2742	71 - 73 - 75

The technical characteristics are indicative and not binding

PRECISION IRRIGATION SPRINKLERS

S70 SUPER - 25°

S70 SUPER - 25° REVOLVING

S70 SUPER - 22°

LONG THROW

Big EUROFLANGE connection (diameter inlet 80 mm)



Long range turbine sprinkler designed to obtain maximum output with medium power systems.

- Turbine sprinkler
- Conical pipe: high performances
- Perfect functioning on steep terrain
- No vibrations
- No break
- Intermittent jet-breaker adjustable for better uniformity of the rain
- Suitable for irrigation of delicate crops
- The sprinkler can operate with an angle of just 4°

Nozzle Ø mm	Pressure atm.	Flow l/min	Length of jet m
24	4,0 - 5,0 - 6,0	729 - 815 - 893	45 - 53 - 56
26	4,0 - 5,0 - 6,0	856 - 957 - 1048	48 - 54 - 58
28	4,0 - 5,0 - 6,0	992 - 1109 - 1215	50 - 55 - 60
30	5,0 - 6,0 - 7,0	1272 - 1393 - 1505	56 - 62 - 64
32	5,0 - 6,0 - 7,0	1449 - 1587 - 1714	57 - 65 - 67
34	6,0 - 7,0 - 8,0	1792 - 1935 - 2069	65 - 69 - 70
36	6,0 - 7,0 - 8,0	2009 - 2170 - 2320	66 - 71 - 72
38	7,0 - 8,0 - 9,0	2418 - 2585 - 2742	72 - 74 - 76

The technical characteristics are indicative and not binding

PRECISION IRRIGATION SPRINKLERS

S80

S80 REVOLVING

LONG THROW

Nodolini Flange Connection

Flange DN100 PN16 EN 1092-1

EUROFLANGE Connection

Female thread connection:

4" BSP



- Turbine sprinkler
- Conical pipe: high performances
- Perfect functioning on steep terrain
- No vibrations
- No break
- Intermittent jet-breaker adjustable for better uniformity of the rain
- Suitable for irrigation of delicate crops
- The sprinkler can operate with an angle of just 4°

Nozzle Ø mm	Pressure atm.	Flow l/min	Lenght of jet m
26	4,5 - 5,0 - 5,5	908 - 957 - 1004	49 - 52 - 53
28	4,5 - 5,0 - 5,5	1053 - 1110 - 1164	51 - 54 - 56
30	5,0 - 5,5 - 6,0	1273 - 1335 - 1394	55 - 57 - 60
32	5,5 - 6,0 - 6,5	1520 - 1587 - 1652	59 - 62 - 65
34	6,0 - 6,5 - 7,0	1792 - 1865 - 1935	63 - 66 - 68
36	6,0 - 7,0 - 8,0	2008 - 2169 - 2319	65 - 70 - 75
38	7,0 - 8,0 - 9,0	2418 - 2585 - 2742	73 - 76 - 79

The technical characteristics are indicative and not binding

PRECISION IRRIGATION SPRINKLERS

S80 SUPER

S80 SUPER REVOLVING

VERY LONG THROW

Nodolini Flange Connection

Flange DN100 PN16 EN 1092-1

EUROFLANGE Connection

Female thread connection:

4" BSP



- Turbine sprinkler
- Conical pipe: high performances
- Perfect functioning on steep terrain
- No vibrations
- No break
- Intermittent jet-breaker adjustable for better uniformity of the rain
- Suitable for irrigation of delicate crops
- The sprinkler can operate with an angle of just 4°

Nozzle Ø mm	Pressure atm.	Flow l/min	Length of jet m
30	5,0 - 5,5 - 6,0	1273 - 1335 - 1394	56 - 60 - 62
32	6,0 - 6,5 - 7,0	1587 - 1652 - 1714	61 - 65 - 68
34	6,0 - 6,5 - 7,0	1792 - 1865 - 1935	63 - 66 - 70
36	7,0 - 8,0 - 9,0	2169 - 2319 - 2460	71 - 74 - 80
38	7,0 - 8,0 - 9,0	2418 - 2585 - 2742	73 - 78 - 83
40	8,0 - 9,0 - 10,0	2864 - 3038 - 3203	81 - 86 - 90
42	8,0 - 9,0 - 10,0	3120 - 3310 - 3490	83 - 89 - 93
44	9,0 - 10,0 - 11,0	3630 - 3830 - 4050	92 - 95 - 99

The technical characteristics are indicative and not binding

HIGH EFFICIENCY SPRINKLERS

S80 SUPER PLUS

S80 SUPER PLUS REVOLVING

VERY LONG THROW

Flange connection:

External diameter 172 mm - Internal diameter 100 mm

N.6 Screws on diameter 145 mm



Questa nuova serie di irrigatori HE e' studiata per ottenere lunghissime gittate con basso consumo di acqua e con un rilevante risparmio energetico.

Come ben noto la quantita' di precipitazione degli irrigatori a lunga gittata non deve oltrepassare gli 8 mm/h.

Se questo dato viene superato, l'acqua in eccesso non verra' assorbita specialmente in presenza di terreni argillosi.

Riteniamo di avere raggiunto gli obiettivi preposti.

This new series of HE sprinklers is designed to obtain very long throws with low water consumption, achieving significant energy savings.

As is well known, the precipitation rate of long throw sprinklers should not exceed 8 mm/h.

If this value is overstepped, extra water will not be absorbed especially in clay soils.

We believe to have fulfilled our goals.

Nozzle Ø mm	Pressure atm.	Flow l/min	Length of jet m
32	6,0 - 6,5 - 7,0	1587 - 1652 - 1714	63 - 67 - 69
34	6,0 - 6,5 - 7,0	1792 - 1865 - 1935	65 - 68 - 72
36	7,0 - 8,0 - 9,0	2169 - 2319 - 2460	73 - 77 - 83
38	7,0 - 8,0 - 9,0	2418 - 2585 - 2742	76 - 81 - 86
40	8,0 - 9,0 - 10,0	2864 - 3038 - 3203	84 - 90 - 93
42	8,0 - 9,0 - 10,0	3120 - 3310 - 3490	86 - 92 - 95
44	9,0 - 10,0 - 11,0	3630 - 3830 - 4050	96 - 99 - 102

- Turbine sprinkler
- Conical pipe: high performances
- Perfect functioning on steep terrain
- No vibrations
- No break
- Intermittent jet-breaker adjustable for better uniformity of the rain
- Suitable for irrigation of delicate crops
- The sprinkler can operate with an angle of just 4°

The technical characteristics are indicative and not binding

WASHDOWN - DUST SUPPRESSION



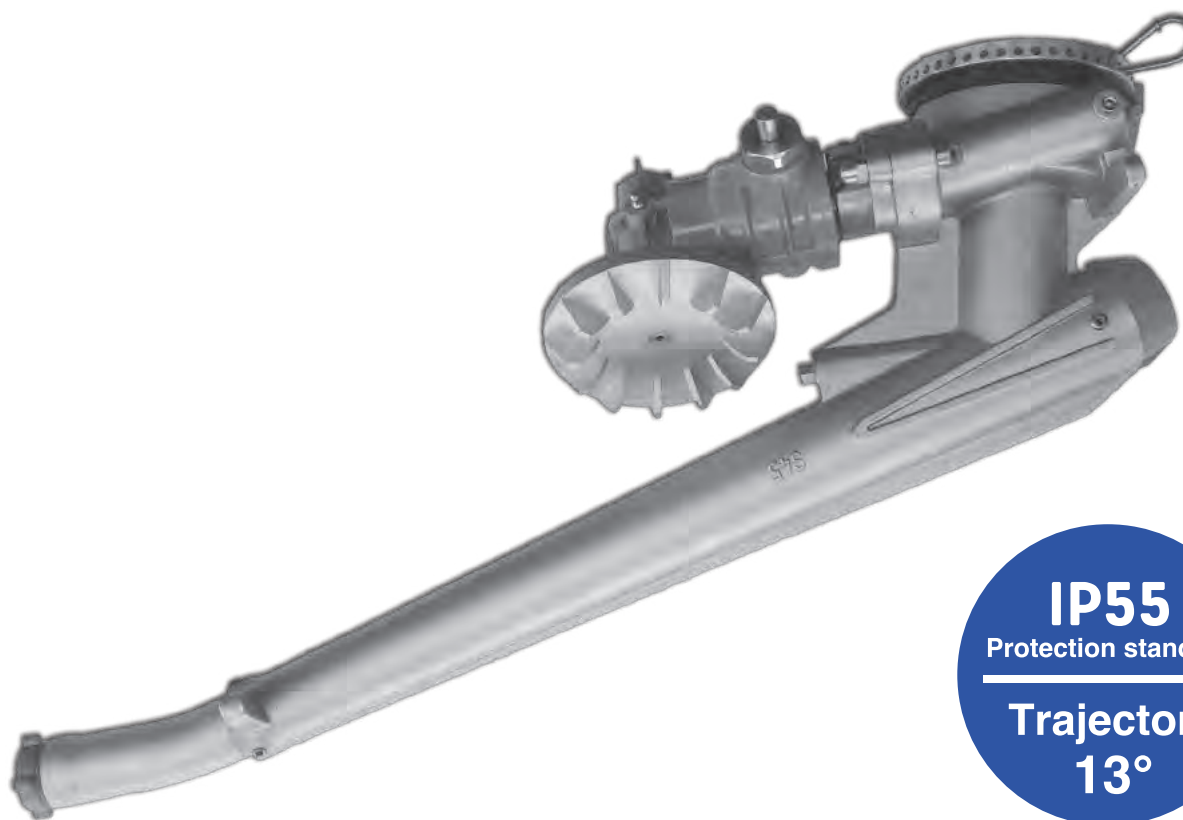
S45 WASHDOWN

Female Thread Connection 1" ½ BSP or 1" ½ NPTF

Female Thread Connection 2" BSP or 2" NPTF

Flange Connection PN6 DN50

Flange Connection ANSI DIN (ANSI 2" - DIN 50)



IP55

Protection standard

Trajectory

13°

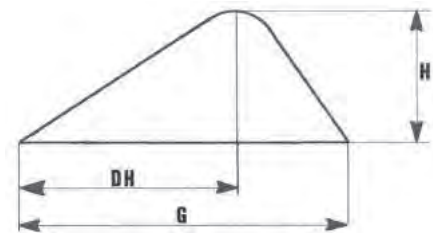
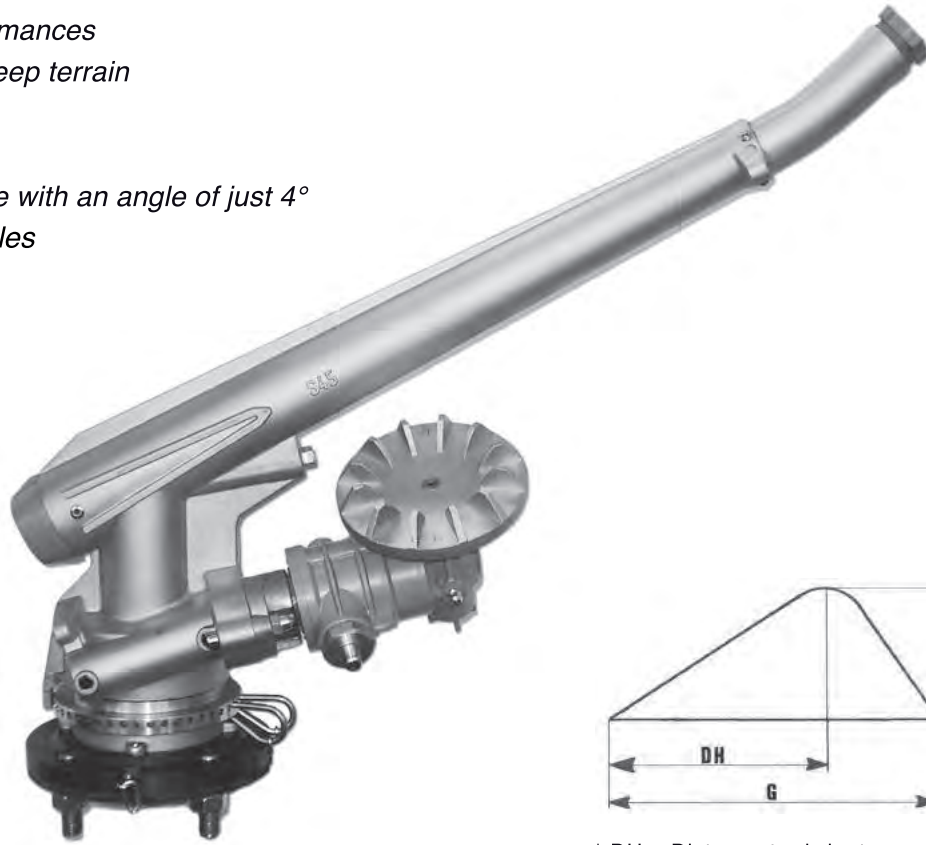
The NODOLINI S45 WASHDOWN provides a reliable solution to the automated washing down of areas conveyors or equipment.

PRECISION IRRIGATION SPRINKLERS

S45 - 43° DUST SUPPRESSION

Female Thread Connection 2" BSPF or 2" NPTF
 Flange Connection PN6 DN50
 Flange Connection ANSI DIN (ANSI 2" - DIN 50)

- Turbine Sprinkler
- Conical pipe: high performances
- Perfect functioning on steep terrain
- No vibrations
- No break
- The sprinkler can operate with an angle of just 4°
- Stainless steel ring nozzles



* DH = Distanza tra irrigatore e apogeo
 Distance from sprinkler to apogee

Nozzle ø mm	Pressure Atm.	Discharge l/min	Length of jet G m	Apogee H m	Distance DH* m
12	2,0 - 3,0 - 4,0	134 - 164 - 190	24 - 29 - 31	8,5 - 9,5 - 10,5	14 - 17 - 18,5
14	2,0 - 3,0 - 4,0	183 - 224 - 258	26 - 32 - 34	9 - 10 - 11	15 - 18 - 20
16	3,0 - 4,0 - 5,0	292 - 337 - 377	33 - 37 - 39	10,5 - 11,5 - 13	19,5 - 21 - 22,5
18	3,0 - 4,0 - 5,0	370 - 427 - 477	34 - 37 - 42	11 - 12,5 - 14	20 - 23 - 25
20	3,0 - 4,0 - 5,0	456 - 527 - 590	36 - 41 - 46	11,5 - 13,5 - 15	22 - 23,5 - 26,5
22	4,0 - 5,0 - 6,0	638 - 713 - 780	42 - 47 - 49	14 - 15,5 - 17	24,5 - 27,5 - 29,5
24	4,0 - 5,0 - 6,0	730 - 817 - 895	43 - 48 - 52	14,5 - 16,5 - 18	25,5 - 28,5 - 30,5

The technical characteristics are indicative and not binding

S65 - 43° DUST SUPPRESSION

Nodolini Flange Connection

Euroflange Connection

Female Thread Connection 2" BSP

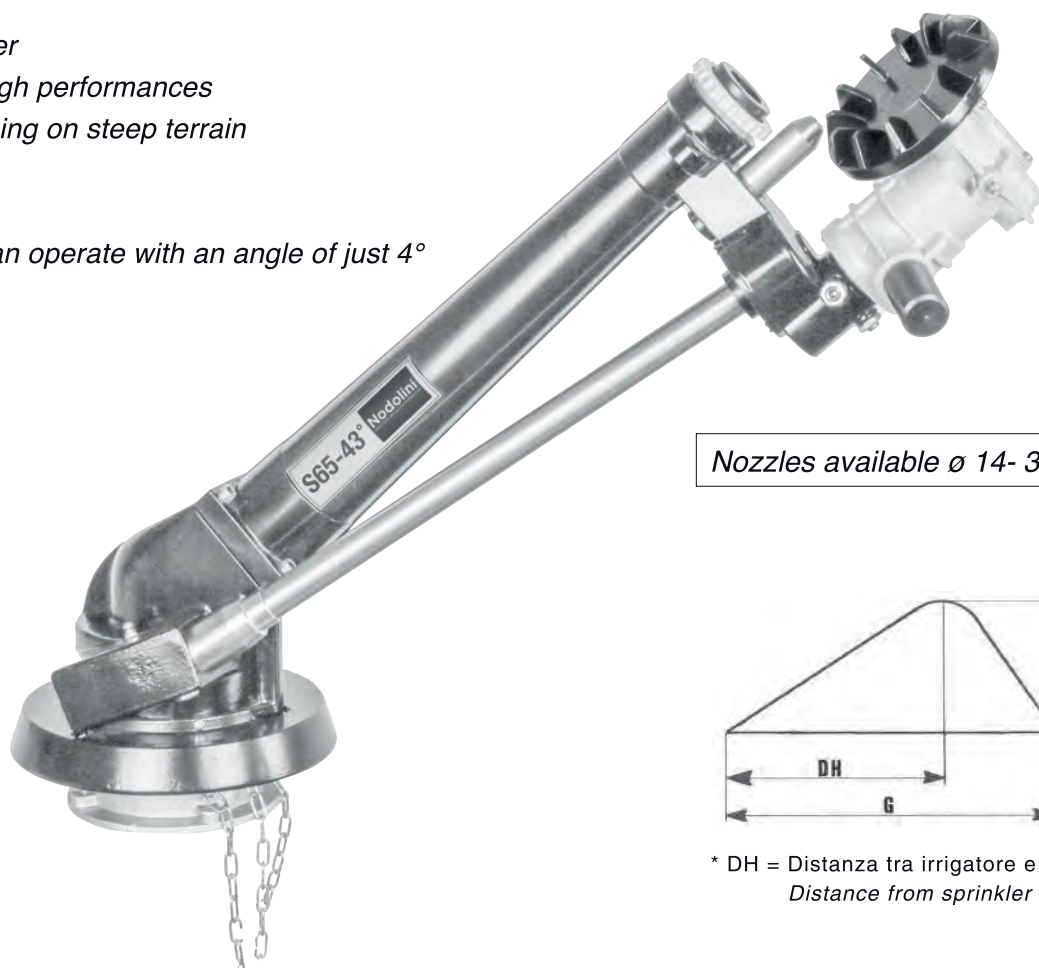
Female Thread Connection 2"½ BSP

Female Thread Connection 3" BSP

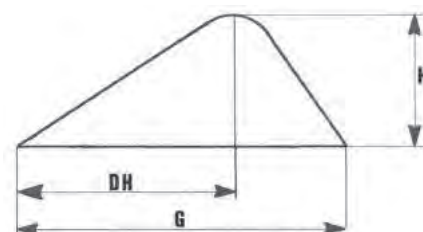
Female Thread Connection 2" NPT

Female Thread Connection 2"½ NPT

- Turbine Sprinkler
- Conical pipe: high performances
- Perfect functioning on steep terrain
- No vibrations
- No break
- The sprinkler can operate with an angle of just 4°



Nozzles available ø 14- 30 mm.



* DH = Distanza tra irrigatore e apogeo
Distance from sprinkler to apogee

Nozzle ø mm	Pressure Atm.	Discharge l/min	Length of jet G m	Apogee H m	Distance DH* m
20	3,0 - 4,0 - 5,0	440 - 506 - 566	37 - 41 - 44	11 - 14 - 17	22 - 26 - 29
22	3,0 - 4,0 - 5,0	530 - 612 - 684	38 - 42 - 45	12 - 15 - 18	23 - 27 - 30
24	4,0 - 5,0 - 6,0	729 - 816 - 895	44 - 48 - 51	16.5 - 18 - 20	28 - 32 - 36
26	4,0 - 5,0 - 6,0	857 - 957 - 1050	46 - 50 - 52	16.5 - 18.5 - 20.5	30 - 33 - 36
28	4,0 - 5,0 - 6,0	994 - 1110 - 1220	48 - 51 - 54	17 - 19 - 21.5	31 - 34 - 37
30	5,0 - 6,0 - 7,0	1273 - 1394 - 1513	55 - 62 - 64	21 - 23 - 25	39 - 43 - 45

PRECISION IRRIGATION SPRINKLERS

S75 - 43° DUST SUPPRESSION

Thread Connection 3" BSPF

Thread Connection 4" BSPF

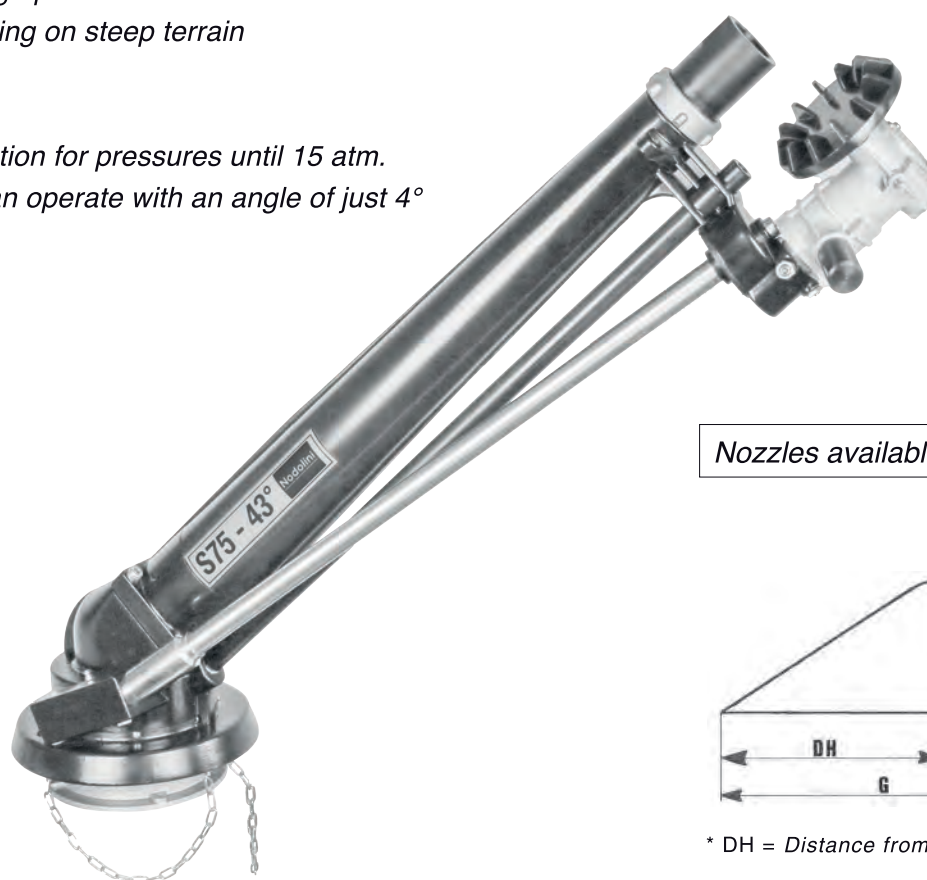
Nodolini Flange Connection

Euroflange 4"

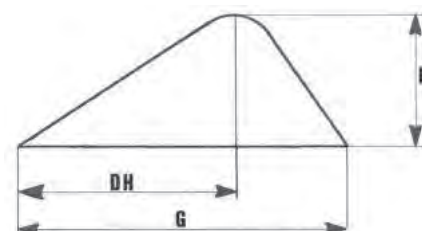
- Turbine Sprinkler
- Conical pipe: high performances
- Perfect functioning on steep terrain
- No vibrations
- No break
- Strong construction for pressures until 15 atm.
- The sprinkler can operate with an angle of just 4°

The most versatile dust suppression sprinkler, for use with 3" threaded connection the sprinkler must be used with ring nozzles from 20 to 32 millimeters in diameter.

For use with flanged connections or 4" thread the sprinkler must be used with conical nozzles from 20 to 44 millimeters in diameter.



Nozzles available ø 20 - 44 mm.



* DH = Distance from sprinkler to apogee

Nozzle ø mm	Pressure Atm.	Discharge l/min	Lenght of jet G m	Apogee H m	Distance DH* m
26	4,0 - 5,0 - 6,0	860 - 957 - 1060	47 - 52 - 54	17 - 19,5 - 21	31 - 36 - 38
28	4,0 - 5,0 - 6,0	997 - 1110 - 1225	49 - 55 - 58	18 - 22 - 25	32 - 39 - 41
30	5,0 - 6,0 - 7,0	1273 - 1394 - 1520	56 - 59 - 61	21 - 24 - 26	39 - 41 - 43
32	5,0 - 6,0 - 7,0	1475 - 1587 - 1735	61 - 63 - 67	22 - 25 - 27	40 - 42 - 44
34	5,0 - 6,0 - 7,0	1645 - 1792 - 1935	62 - 64 - 69	23 - 25,5 - 28	41 - 43 - 46
36	6,0 - 7,0 - 8,0	2008 - 2169 - 2316	68 - 71 - 74	25 - 29,5 - 33	46 - 48 - 51
38	7,0 - 8,0 - 9,0	2418 - 2585 - 2742	73 - 77 - 80	31 - 34 - 36	51 - 54 - 56

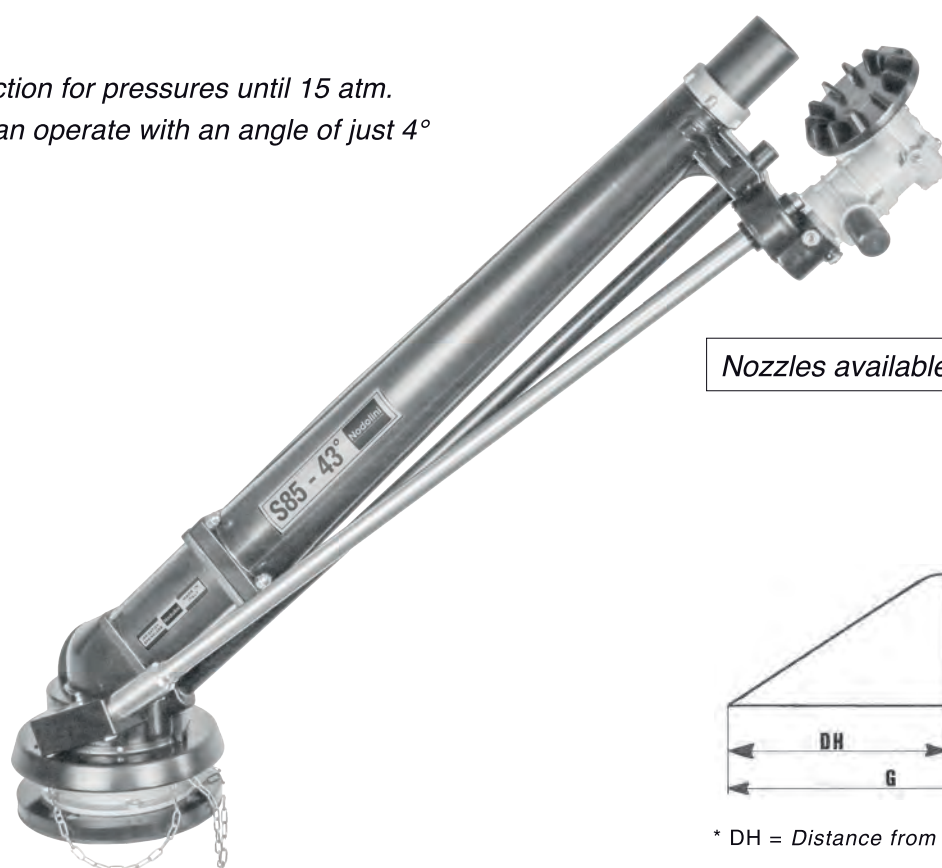
The technical characteristics are indicative and not binding

S85 - 43° DUST SUPPRESSION

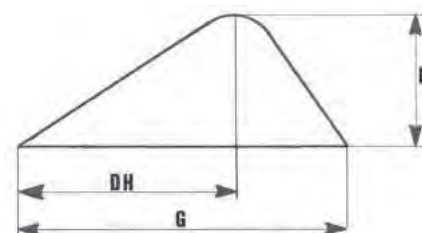
Nodolini Flange Connection
 DN100 PN16 EN1092-1 Flange Connection
 Euroflange 4"
 Female thread connection 4" BSP

- Turbine Sprinkler
- Conical pipe: high performances
- Perfect functioning on steep terrain
- No vibrations
- No break
- Strong construction for pressures until 15 atm.
- The sprinkler can operate with an angle of just 4°

THE BIG SPRINKLER
 FOR DUST SUPPRESSION



Nozzles available ø 26 - 46 mm.



* DH = Distance from sprinkler to apogee

Nozzle ø mm	Pressure Atm.	Discharge l/min	Length of jet G m	Apogee H m	Distance DH* m
26	4,0 - 5,0 - 6,0	860 - 957 - 1060	47 - 52 - 54	17 - 19,5 - 21	31 - 36 - 38
28	4,0 - 5,0 - 6,0	997 - 1110 - 1225	49 - 55 - 58	18 - 22 - 25	32 - 39 - 41
30	5,0 - 6,0 - 7,0	1273 - 1394 - 1520	56 - 59 - 61	21 - 24 - 26	39 - 41 - 43
32	5,0 - 6,0 - 7,0	1475 - 1587 - 1735	61 - 63 - 67	22 - 25 - 27	40 - 42 - 44
34	5,0 - 6,0 - 7,0	1645 - 1792 - 1935	62 - 64 - 69	23 - 25,5 - 28	41 - 43 - 46
36	6,0 - 7,0 - 8,0	2008 - 2169 - 2316	68 - 71 - 74	25 - 29,5 - 33	46 - 48 - 51
38	7,0 - 8,0 - 9,0	2418 - 2585 - 2742	73 - 77 - 80	31 - 34 - 36	51 - 54 - 56

S80 SUPER MONSTER

EUROFLANGE Connection No. 6 holes on 130 mm diameter
FLANGE DN100 PN16 EN1092-1



Trajectory
27°

HIGH PRESSURE SPRINKLERS

HPS HIGH PRESSURE

Extremely long-range gun for high pressures and large volumes of water.

Suitable for dust suppression in large deposits.

Extremely fine water created by high-pressure forms small drops.

The high capacity allows large areas to be controlled shortly without forming puddles in the areas near the deposit.

The turbine advancement system avoids any vibrations due to high pressure that can damage the sprinkler and the support structures.

It is manufactured with high quality materials.

*All gears are made of metal.
It can operate up to a pressure of 20 ATM.*

Also available without jet-breaker

NOZZLE: 38 - 46 mm ___ 1.49" - 1,81"

PRESSURE: 9 - 20 atm ___ 132 - 294 psi

FLOW: 3000 - 4300 l/min ___ 792 - 1135 GPM

LENGTH OF JET: 85 - 105 m ___ 278 - 344 FT (RADIUS)



Nodolini Sprinklers di Nodolini Saverio Via C. Iotti 55 - 42045 - Luzzara (RE) - Italy
Tel. +39 0522 977491 Fax +39 0522 977491 - Email info@nodolini.com - www.nodolini.com