

A night-time photograph of an industrial refinery or chemical plant. The scene is filled with tall distillation columns, complex piping, and numerous bright lights that create a starburst effect against the dark sky. The overall atmosphere is industrial and brightly lit.

Nodolini

PRECISION IRRIGATION SPRINKLERS

**SPRINKLERS
FOR
CORROSIVE WATERS**



Made in Italy since 1960

A perfect solution for irrigation in critical environments.

NODOLINI SPRINKLERS è orgogliosa di presentare la gamma di irrigatori C.W.

Questi irrigatori sono stati progettati per ACQUE CORROSIVE e per AMBIENTI CORROSIVI : sono normalmente utilizzati con acqua di mare per l'abbattimento delle polveri nei porti, con acque reflue per l'abbattimento delle polveri nei depositi e nel settore minerario.

Le parti meccaniche sono interne e protette contro ogni possibile aggressione chimica.

Le parti in alluminio sono trattate con ossidazione anodica, rivestimento plastico e cataforesi.

Tutte le viti, dadi, rondelle e perni sono in acciaio inox AISI 304/316.

Gli sprinkler possono essere utilizzati con ALTE PRESSIONI (1500 kPa - 15 atm).

Il sistema di avanzamento a turbina garantisce l'assenza di vibrazioni , e il tubo di lancio conico conferisce prestazioni elevate.

L'irrigatore può funzionare con un angolo minimo di soli 4°.

A richiesta sono disponibili ugelli in acciaio inox.

NODOLINI SPRINKLERS is proud to introduce the new range of C.W. sprinklers.

These sprinklers are specifically engineered for CORROSIVE WATERS AND ENVIRONMENTS: they are normally employed with seawater for dust abatement in harbors and with wastewater for dust abatement in warehouses and in the mining industry.

Mechanical parts are located internally and protected against any possible chemical aggression.

Aluminum parts are finished with anodic oxidation, plastic coating, and cathoresis.

All screws, nuts, washers and pins are made of AISI 304/316 stainless steel.

The sprinklers can be used even at HIGH PRESSURES (1500 kPa - 15 atm).

The turbine system guarantees vibration-free performances, and the conical throw pipe provides high performance.

The sprinkler is able to operate with a minimum angle of just 4°.

Stainless steel nozzles are available upon request.

PRECISION IRRIGATION SPRINKLERS

CORROSIVE WATERS



PRECISION IRRIGATION SPRINKLERS
CORROSIVE WATERS



PRECISION IRRIGATION SPRINKLERS

CORROSIVE WATERS

S60 - 25° C.W.

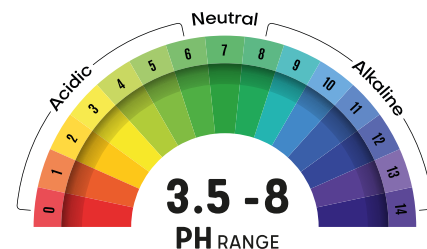
DN65 PN10 EN1092-1 Flange Connection

Female thread connection 2" BSP

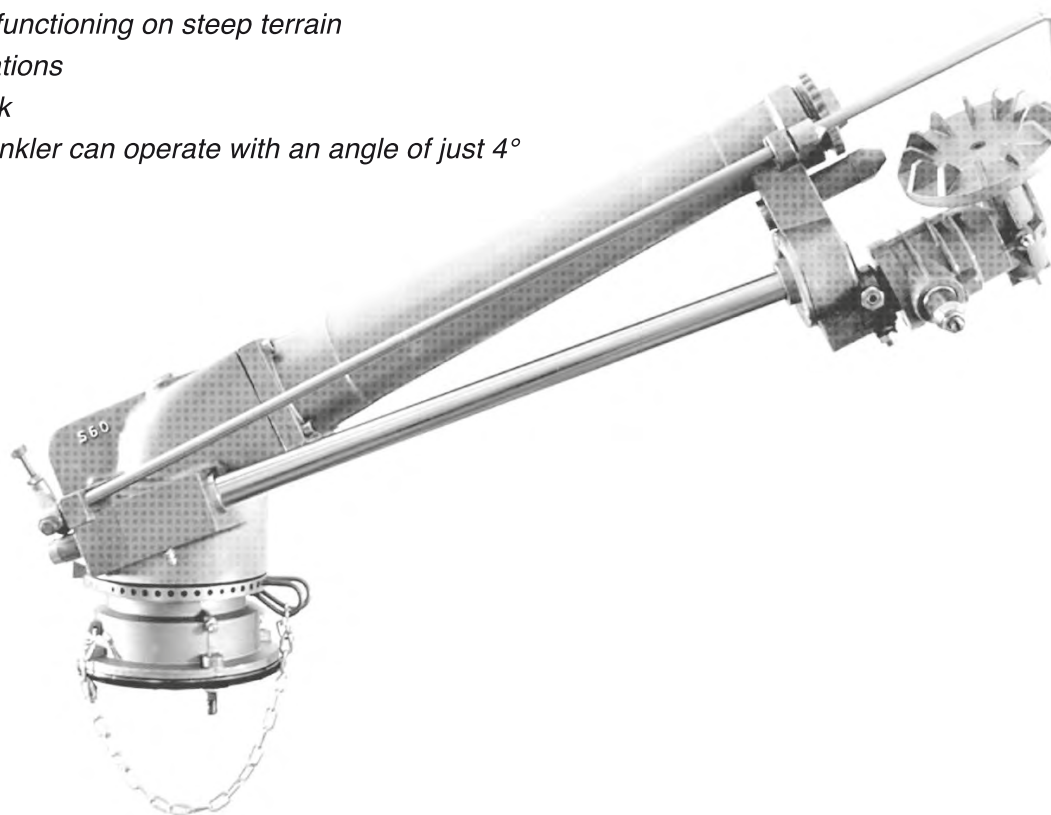
Female thread connection 2"½ BSP

Female thread connection 2" NPT

Female thread connection 2"½ NPT



- Turbine Sprinkler
- Concial pipe: high performances
- Perfect functioning on steep terrain
- No vibrations
- No break
- The sprinkler can operate with an angle of just 4°



Nozzle Ø mm	Pressure atm.	Discharge l/min	Lenght of jet m
20	4,0 - 4,5 - 5,0	506 - 537 - 566	41 - 43 - 45
22	4,0 - 4,5 - 5,0	612 - 649 - 684	43 - 45 - 47
24	4,0 - 4,5 - 5,0	729 - 774 - 816	45 - 47 - 49
26	4,5 - 5,0 - 5,5	957 - 980 - 1004	47 - 49 - 51
28	4,5 - 5,0 - 5,5	1053 - 1110 - 1164	50 - 52 - 54
30	5,0 - 5,5 - 6,0	1273 - 1335 - 1394	53 - 55 - 57

The technical characteristics are indicative and not binding

PRECISION IRRIGATION SPRINKLERS

CORROSIVE WATERS

S65 - 43° C.W.

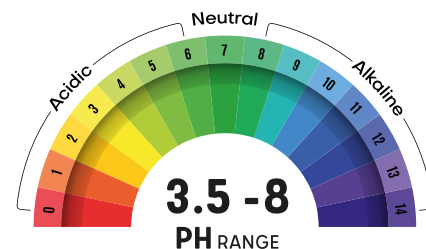
DN65 PN10 EN1092-1 Flange Connection

Female thread connection 2" BSP

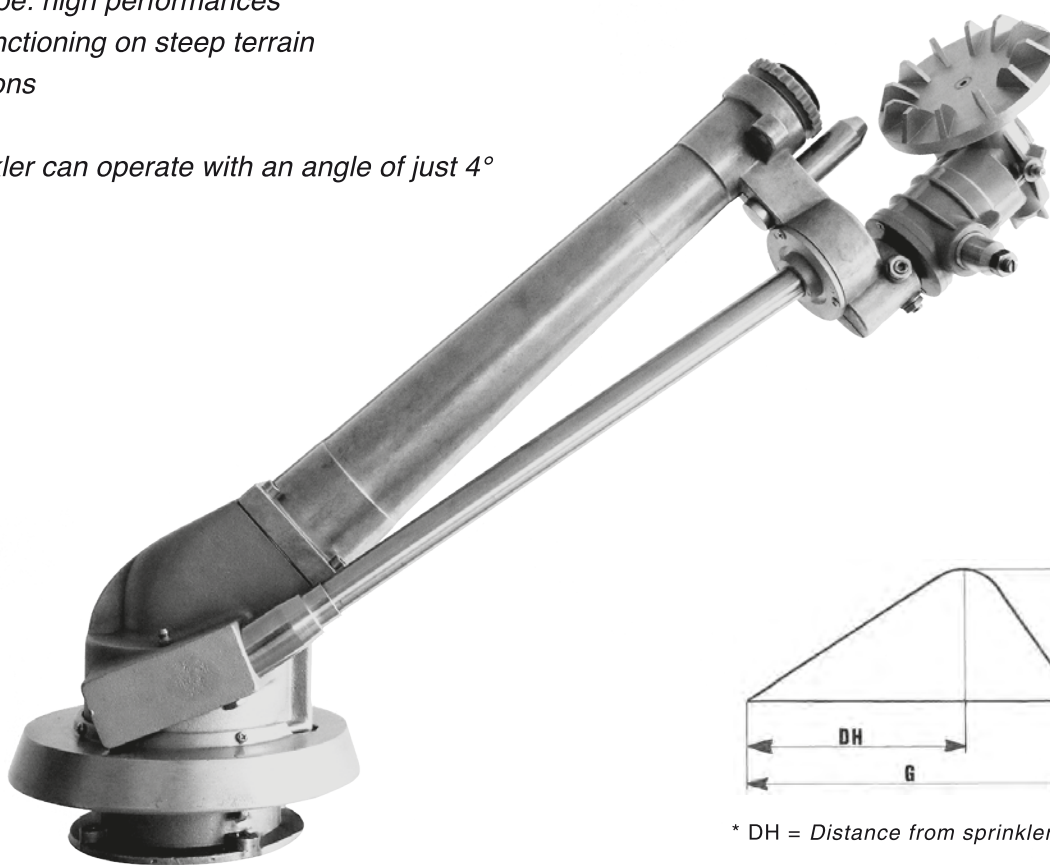
Female thread connection 2"½ BSP

Female thread connection 2" NPT

Female thread connection 2"½ NPT



- Turbine Sprinkler
- Concial pipe: high performances
- Perfect functioning on steep terrain
- No vibrations
- No break
- The sprinkler can operate with an angle of just 4°



* DH = Distance from sprinkler to apogee

Nozzle ø mm	Pressure Atm.	Discharge l/min	Lenght of jet G m	Apogee H m	Distance DH* m
20	3,0 - 4,0 - 5,0	440 - 506 - 566	37 - 41 - 44	11 - 14 - 17	22 - 26 - 29
22	3,0 - 4,0 - 5,0	530 - 612 - 684	38 - 42 - 45	12 - 15 - 18	23 - 27 - 30
24	4,0 - 5,0 - 6,0	729 - 816 - 895	44 - 48 - 51	16.5 - 18 - 20	28 - 32 - 36
26	4,0 - 5,0 - 6,0	857 - 957 - 1050	46 - 50 - 52	16.5 - 18.5 - 20.5	30 - 33 - 36
28	4,0 - 5,0 - 6,0	994 - 1110 - 1220	48 - 51 - 54	17 - 19 - 21.5	31 - 34 - 37
30	5,0 - 6,0 - 7,0	1273 - 1394 - 1513	55 - 62 - 64	21 - 23 - 25	39 - 43 - 45

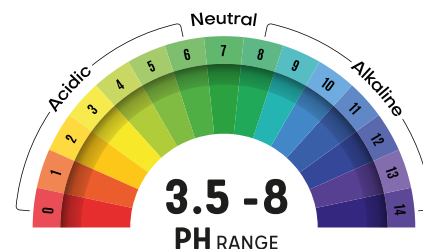
The technical characteristics are indicative and not binding

PRECISION IRRIGATION SPRINKLERS

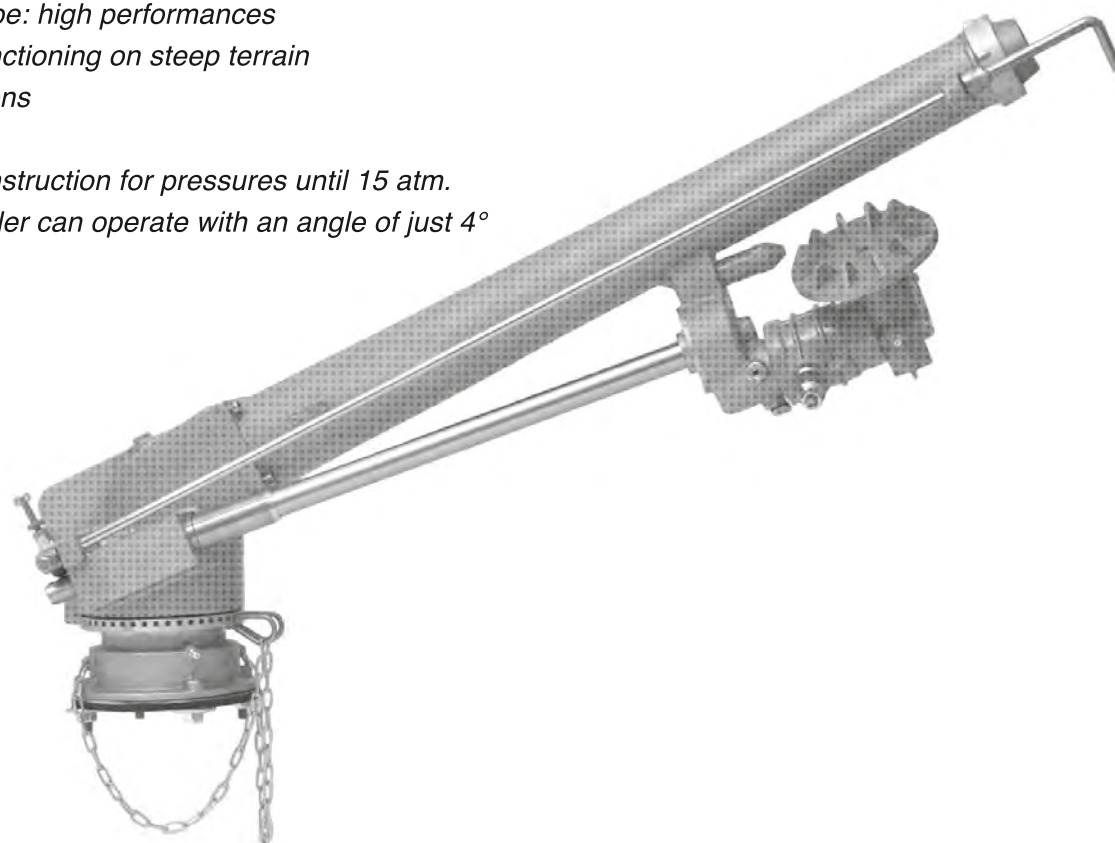
CORROSIVE WATERS

S70 - 25° C.W.

DN65 PN10 EN1092-1 Flange Connection
 Female thread connection 2"½ BSP



- Turbine Sprinkler
- Concial pipe: high performances
- Perfect functioning on steep terrain
- No vibrations
- No break
- Strong construction for pressures until 15 atm.
- The sprinkler can operate with an angle of just 4°



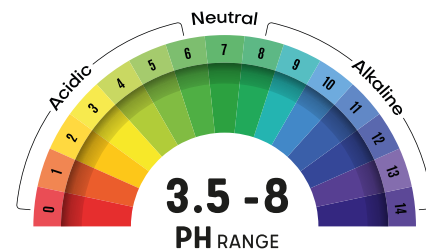
Long range turbine irrigator designed to obtain maximum output with medium power systems.

Nozzle Ø mm	Pressure atm.	Discharge l/min	Lenght of jet m
24	4,0 - 5,0 - 6,0	729 - 815 - 893	45 - 52 - 55
26	4,0 - 5,0 - 6,0	856 - 957 - 1048	47 - 53 - 57
28	4,0 - 5,0 - 6,0	992 - 1109 - 1215	49 - 54 - 59
30	5,0 - 6,0 - 7,0	1272 - 1393 - 1505	55 - 61 - 63
32	5,0 - 6,0 - 7,0	1449 - 1587 - 1714	57 - 63 - 66
34	6,0 - 7,0 - 8,0	1792 - 1935 - 2069	64 - 67 - 69
36	6,0 - 7,0 - 8,0	2009 - 2170 - 2320	65 - 69 - 71
38	7,0 - 8,0 - 9,0	2418 - 2585 - 2742	71 - 73 - 75

The technical characteristics are indicative and not binding

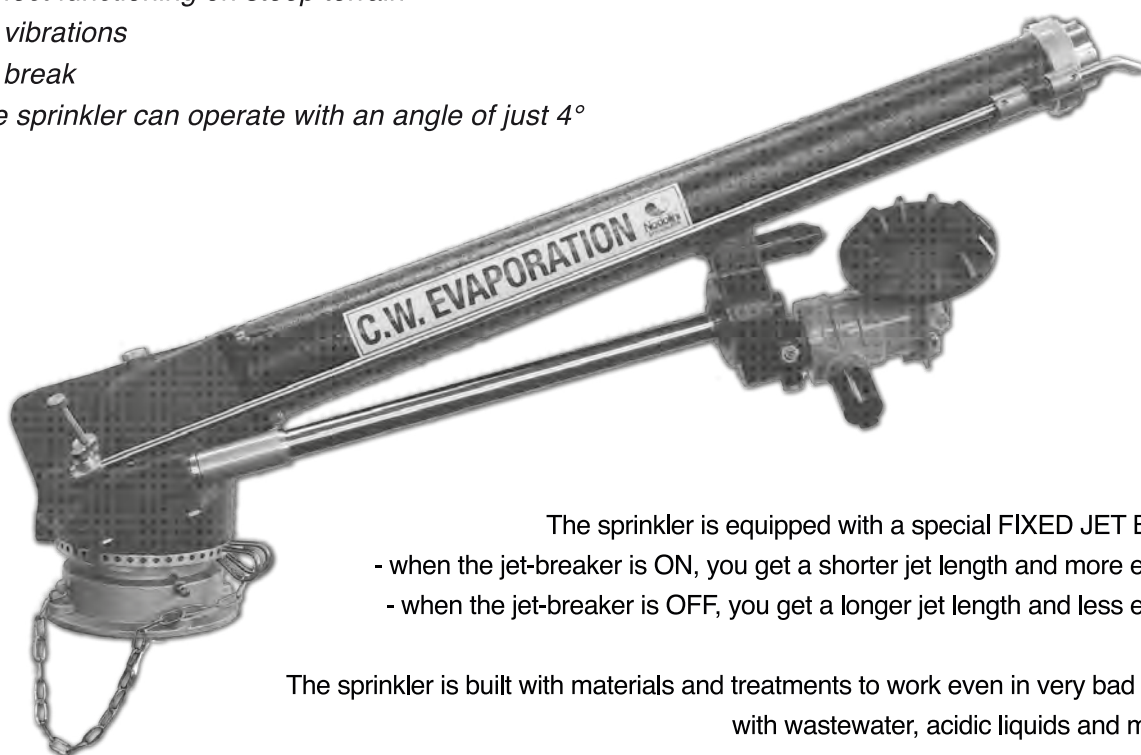
S70 - 25° C.W. EVAPORATION

DN65 PN10 EN1092-1 Flange Connection
Female thread connection 2"½ BSP



- Turbine Sprinkler
- Concial pipe: high performances
- Perfect functioning on steep terrain
- No vibrations
- No break
- The sprinkler can operate with an angle of just 4°

This model with nozzle from 22 to 38 mm and max. work pressure up to 20 atm (294 psi) can be used for DUST SUPPRESSION and EVAPORATION in mines with wastewater.



The sprinkler is equipped with a special FIXED JET BREAKER:
- when the jet-breaker is ON, you get a shorter jet length and more evaporation
- when the jet-breaker is OFF, you get a longer jet length and less evaporation

The sprinkler is built with materials and treatments to work even in very bad conditions, with wastewater, acidic liquids and mine waste.

Nozzle Ø mm	Pressure atm.	Discharge l/min	Lenght of jet m
24	4,0 - 5,0 - 6,0	729 - 815 - 893	45 - 52 - 55
26	4,0 - 5,0 - 6,0	856 - 957 - 1048	47 - 53 - 57
28	4,0 - 5,0 - 6,0	992 - 1109 - 1215	49 - 54 - 59
30	5,0 - 6,0 - 7,0	1272 - 1393 - 1505	55 - 61 - 63
32	5,0 - 6,0 - 7,0	1449 - 1587 - 1714	57 - 63 - 66
34	6,0 - 7,0 - 8,0	1792 - 1935 - 2069	64 - 67 - 69
36	6,0 - 7,0 - 8,0	2009 - 2170 - 2320	65 - 69 - 71
38	7,0 - 8,0 - 9,0	2418 - 2585 - 2742	71 - 73 - 75

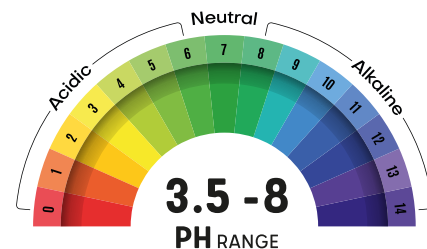
The technical characteristics are indicative and not binding

PRECISION IRRIGATION SPRINKLERS

EVAPORATION

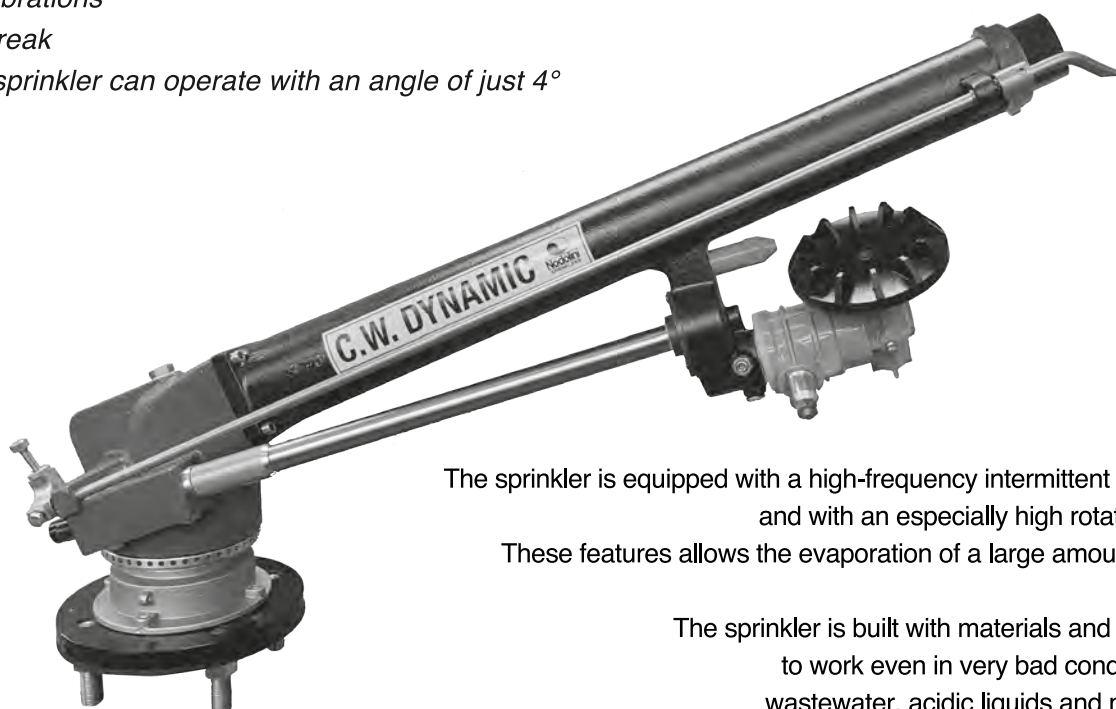
S70 - 25° C.W. DYNAMIC

DN65 PN10 EN1092-1 Flange Connection
Female thread connection 2"½ BSP



- Turbine Sprinkler
- Concial pipe: high performances
- Perfect functioning on steep terrain
- No vibrations
- No break
- The sprinkler can operate with an angle of just 4°

This model with nozzle from 22 to 38 mm and max. work pressure up to 20 atm (294 psi) can be used for DUST SUPPRESSION and EVAPORATION in mines with wastewater.



The sprinkler is equipped with a high-frequency intermittent jet-breaker and with an especially high rotation speed. These features allows the evaporation of a large amount of liquid.

The sprinkler is built with materials and treatments to work even in very bad conditions, with wastewater, acidic liquids and mine waste

Nozzle Ø mm	Pressure atm.	Discharge l/min	Lenght of jet m
24	4,0 - 5,0 - 6,0	729 - 815 - 893	45 - 52 - 55
26	4,0 - 5,0 - 6,0	856 - 957 - 1048	47 - 53 - 57
28	4,0 - 5,0 - 6,0	992 - 1109 - 1215	49 - 54 - 59
30	5,0 - 6,0 - 7,0	1272 - 1393 - 1505	55 - 61 - 63
32	5,0 - 6,0 - 7,0	1449 - 1587 - 1714	57 - 63 - 66
34	6,0 - 7,0 - 8,0	1792 - 1935 - 2069	64 - 67 - 69
36	6,0 - 7,0 - 8,0	2009 - 2170 - 2320	65 - 69 - 71
38	7,0 - 8,0 - 9,0	2418 - 2585 - 2742	71 - 73 - 75

The technical characteristics are indicative and not binding

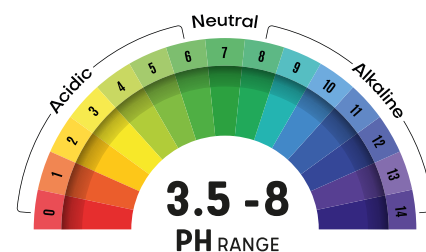
PRECISION IRRIGATION SPRINKLERS

CORROSIVE WATERS

S75 C.W.

Thread Connection 3" BSPF
 Thread Connection 4" BSPF
 Euroflange 4"

- Turbine Sprinkler
- Concial pipe: high performances
- Perfect functioning on steep terrain
- No vibrations
- No break
- Strong construction for pressures until 15 atm.
- The sprinkler can operate with an angle of just 4°



The most versatile dust suppression sprinkler, for use with 3" threaded connection the sprinkler must be used with ring nozzles from 20 to 32 millimeters in diameter. For use with flanged connections or 4" thread the sprinkler must be used with conical nozzles from 20 to 44 millimeters in diameter.



Nozzles available ø 20 - 44 mm.

Nozzle Ø mm	Pressure atm.	Discharge l/min	Lenght of jet m
26	4,5 - 5,0 - 5,5	908 - 957 - 1004	49 - 52 - 53
28	4,5 - 5,0 - 5,5	1053 - 1110 - 1164	51 - 54 - 56
30	5,0 - 5,5 - 6,0	1273 - 1335 - 1394	55 - 57 - 60
32	5,5 - 6,0 - 6,5	1520 - 1587 - 1652	59 - 62 - 65
34	6,0 - 6,5 - 7,0	1792 - 1865 - 1935	63 - 66 - 68
36	6,0 - 7,0 - 8,0	2008 - 2169 - 2319	65 - 70 - 75
38	7,0 - 8,0 - 9,0	2418 - 2585 - 2742	73 - 76 - 79

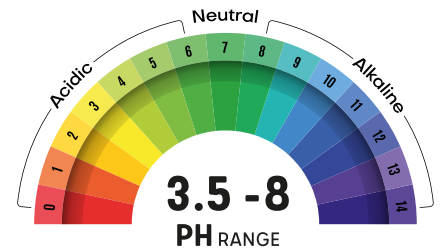
The technical characteristics are indicative and not binding

PRECISION IRRIGATION SPRINKLERS

CORROSIVE WATERS

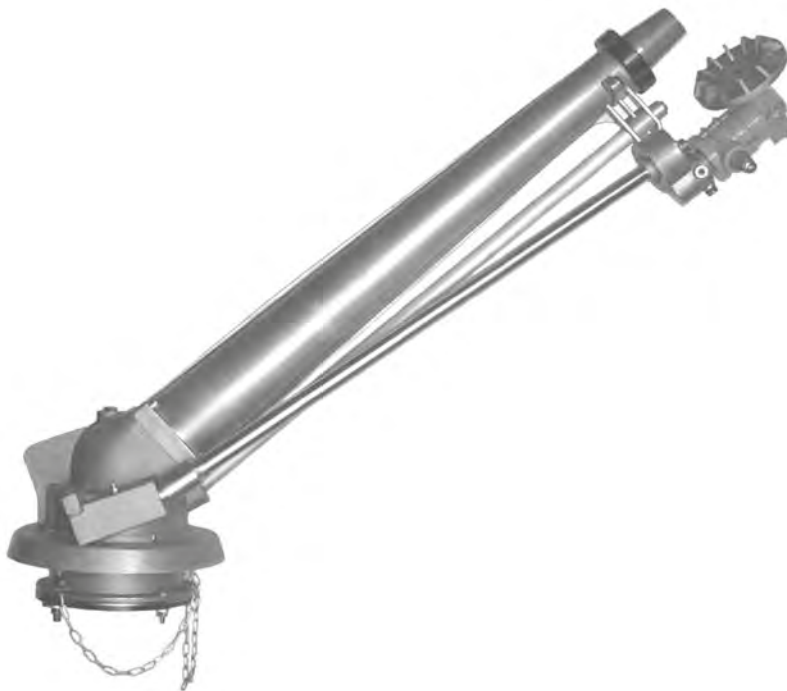
S75 - 43° C.W.

Thread Connection 3" BSPF
 Thread Connection 4" BSPF
 Euroflange 4"

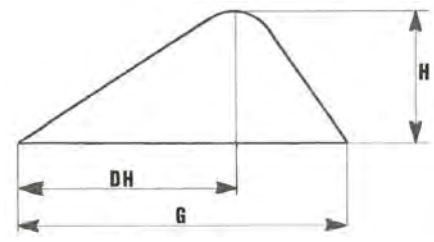


- Turbine Sprinkler
- Concial pipe: high performances
- Perfect functioning on steep terrain
- No vibrations
- No break
- Strong construction for pressures until 15 atm.
- The sprinkler can operate with an angle of just 4°

The most versatile dust suppression sprinkler, for use with 3" threaded connection the sprinkler must be used with ring nozzles from 20 to 32 millimeters in diameter. For use with flanged connections or 4" thread the sprinkler must be used with conical nozzles from 20 to 44 millimeters in diameter.



Nozzles available ø 20 - 44 mm.



* DH = Distance from sprinkler to apogee

Nozzle ø mm	Pressure Atm.	Discharge l/min	Lenght of jet G m	Apogee H m	Distance DH* m
26	4,0 - 5,0 - 6,0	860 - 957 - 1060	47 - 52 - 54	17 - 19,5 - 21	31 - 36 - 38
28	4,0 - 5,0 - 6,0	997 - 1110 - 1225	49 - 55 - 58	18 - 22 - 25	32 - 39 - 41
30	5,0 - 6,0 - 7,0	1273 - 1394 - 1520	56 - 59 - 61	21 - 24 - 26	39 - 41 - 43
32	5,0 - 6,0 - 7,0	1475 - 1587 - 1735	61 - 63 - 67	22 - 25 - 27	40 - 42 - 44
34	5,0 - 6,0 - 7,0	1645 - 1792 - 1935	62 - 64 - 69	23 - 25,5 - 28	41 - 43 - 46
36	6,0 - 7,0 - 8,0	2008 - 2169 - 2316	68 - 71 - 74	25 - 29,5 - 33	46 - 48 - 51
38	7,0 - 8,0 - 9,0	2418 - 2585 - 2742	73 - 77 - 80	31 - 34 - 36	51 - 54 - 56

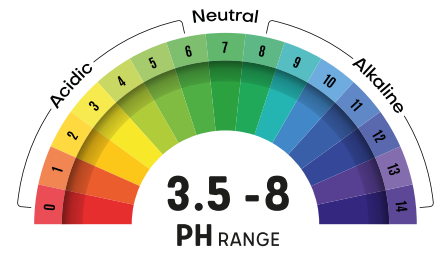
The technical characteristics are indicative and not binding

PRECISION IRRIGATION SPRINKLERS

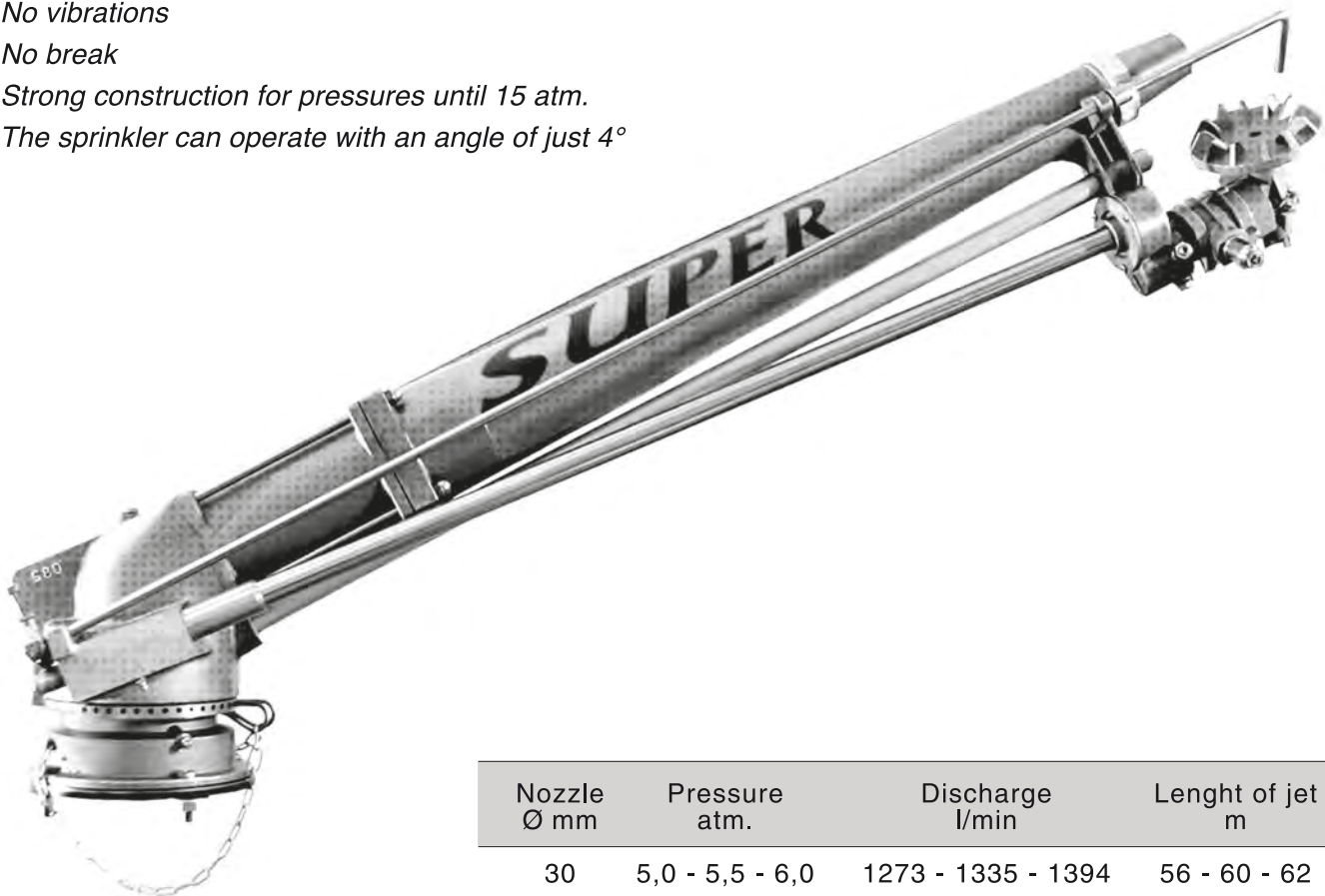
CORROSIVE WATERS

S80 SUPER C.W.

Nodolini Flange Connection
 DN100 PN16 EN1092-1 Flange Connection
 Euroflange 4"
 Female thread connection 4" BSP



- Turbine Sprinkler
- Concial pipe: high performances
- Perfect functioning on steep terrain
- No vibrations
- No break
- Strong construction for pressures until 15 atm.
- The sprinkler can operate with an angle of just 4°



Nozzle Ø mm	Pressure atm.	Discharge l/min	Lenght of jet m
30	5,0 - 5,5 - 6,0	1273 - 1335 - 1394	56 - 60 - 62
32	6,0 - 6,5 - 7,0	1587 - 1652 - 1714	61 - 65 - 68
34	6,0 - 6,5 - 7,0	1792 - 1865 - 1935	63 - 66 - 70
36	7,0 - 8,0 - 9,0	2169 - 2319 - 2460	71 - 74 - 80
38	7,0 - 8,0 - 9,0	2418 - 2585 - 2742	73 - 78 - 83
40	8,0 - 9,0 - 10,0	2864 - 3038 - 3203	81 - 86 - 90
42	8,0 - 9,0 - 10,0	3120 - 3310 - 3490	83 - 89 - 93
44	9,0 - 10,0 - 11,0	3630 - 3830 - 4050	92 - 95 - 99

The technical characteristics are indicative and not binding

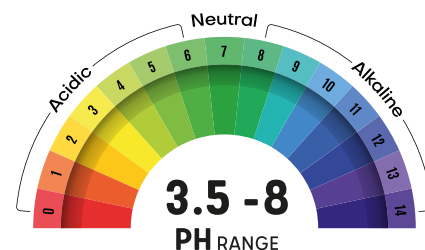
PRECISION IRRIGATION SPRINKLERS

CORROSIVE WATERS

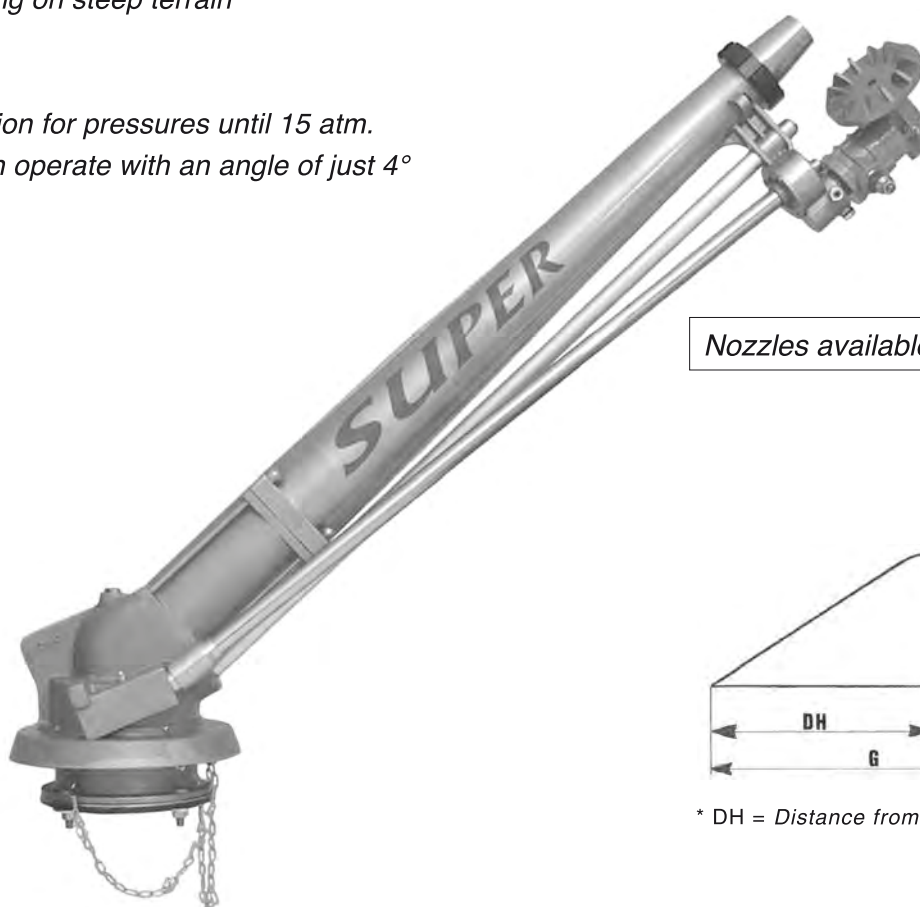
S85 - 43° C.W.

Nodolini Flange Connection
 DN100 PN16 EN1092-1 Flange Connection
 Euroflange 4"
 Female thread connection 4" BSP

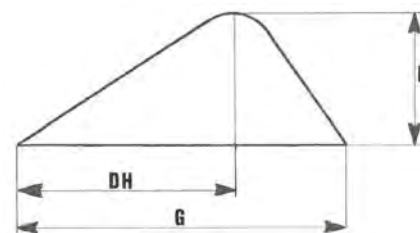
- Turbine Sprinkler
- Conical pipe: high performances
- Perfect functioning on steep terrain
- No vibrations
- No break
- Strong construction for pressures until 15 atm.
- The sprinkler can operate with an angle of just 4°



THE BIG SPRINKLER
 FOR DUST SUPPRESSION



Nozzles available \varnothing 26 - 46 mm.



* DH = Distance from sprinkler to apogee

Nozzle \varnothing mm	Pressure Atm.	Discharge l/min	Length of jet G m	Apogee H m	Distance DH* m
26	4,0 - 5,0 - 6,0	860 - 957 - 1060	47 - 52 - 54	17 - 19,5 - 21	31 - 36 - 38
28	4,0 - 5,0 - 6,0	997 - 1110 - 1225	49 - 55 - 58	18 - 22 - 25	32 - 39 - 41
30	5,0 - 6,0 - 7,0	1273 - 1394 - 1520	56 - 59 - 61	21 - 24 - 26	39 - 41 - 43
32	5,0 - 6,0 - 7,0	1475 - 1587 - 1735	61 - 63 - 67	22 - 25 - 27	40 - 42 - 44
34	5,0 - 6,0 - 7,0	1645 - 1792 - 1935	62 - 64 - 69	23 - 25,5 - 28	41 - 43 - 46
36	6,0 - 7,0 - 8,0	2008 - 2169 - 2316	68 - 71 - 74	25 - 29,5 - 33	46 - 48 - 51
38	7,0 - 8,0 - 9,0	2418 - 2585 - 2742	73 - 77 - 80	31 - 34 - 36	51 - 54 - 56

The technical characteristics are indicative and not binding



Nodolini
PRECISION IRRIGATION SPRINKLERS

Nodolini Sprinklers di Nodolini Saverio Via C. Iotti 55 - 42045 - Luzzara (RE) - Italy
Tel. +39 0522 977491 Fax +39 0522 977491 - Email info@nodolini.com - www.nodolini.com